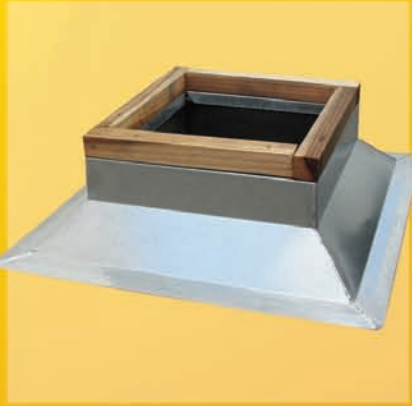




Air Delivery Products



Standard 2 Day Shipping





ADP offers standard 2-Day “Quick Ship” service on all the products you see in this catalog at no increase in price for the premium service. For those occasions when even faster shipping is needed we also offer Next Day “Quicker Ship” and Same Day “Quickest Ship” options on most of our products, as follows:

Shipping Options	Lead Time (working days)	Percentage Add	Order Cut-Off Time
Quick Ship orders	2 Days Max	No Add	5:00 pm (Pacific)
Quicker Ship orders	Next Day	15%	5:00 pm (Pacific)
Quickest Ship orders	Same Day	25%	2:00 pm (Pacific)

Straight Talk: While our on-time shipping performance has exceeded 95% for five years running, it is possible that a sudden increase in demand or an unexpected large order could impact our stock, thus our *Quick Ship* options are subject to availability. Please see the Limitations paragraph below for your options, should a shortage occur.

Terms & Conditions

Lead Time: For standard 2-Day *Quick Ship* orders, the lead time clock begins the day after you place your order. For example, if you place your order on a Monday, the next day, Tuesday, is Day 1. You can expect your order to ship no later than Day 2, which would be Wednesday if there are no holidays. Orders entered after 5:00 pm are considered to be entered the next business day.

Quicker and *Quickest Ship* orders work similarly. For example, a Next Day *Quicker Ship* order placed on a Monday will ship the next day, Tuesday. Same Day *Quickest Ship* orders must be placed before 2:00 pm Pacific Time to be shipped the same day. Same day local delivery may also be available on orders placed by 10:00 am. Please call for availability.

Pricing: All prices are list. Please refer to your current Discount Schedule for applicable multipliers. 2-Day shipping is standard (subject to availability). For all orders under \$350 net, a Small Order Freight Add of \$30 will apply.

Freight Terms: All orders are shipped F.O.B. Origin. Actual freight rates will be charged for 2nd Day, Next Day, and Courier shipments, as well as on all orders that do not qualify for Prepaid freight. Please refer to your current Discount Schedule for Freight Factors on orders shipping 500 miles or more from the 92154 zip code.

Limitations: While our goal is to ship orders in two days or less, with our accelerated shipping schedule some shortages may occur. As a result, our *Quick Ship* options are subject to availability. Should we encounter a shortage on a qualified freight Prepaid order we will contact you to determine if you wish the entire order to be held until the shortages arrive (so everything ships prepaid) or if we should ship what we have available. Backorders cannot be shipped prepaid. Any items you instruct us to backorder will ship Prepaid & Add.

Payment terms: 1% 10, Net 30 from the date of our invoice for customers with approved credit. A service charge of 1.5% per month will be charged and collected on all past due account balances. Credit card payment is also accepted at time of purchase only, no discount allowed. Accounts with balances over 45 days old will be on shipping hold.

Returns: Returns will not be accepted unless accompanied by a Return Goods Authorization (RGA) form issued by ADP. Return goods will be inspected upon receipt by ADP and for all products accepted for restocking, 75% of the purchase price (excluding outbound freight) will be refunded. Products which have been installed or damaged (including packaging) are not suitable for restocking and no credit will be given. All returns must be returned to their point of origin, freight prepaid. If requested, we will issue a call tag for items to be returned, in which case return freight charges will be deducted from any credit issued.

Minimum order: For all orders under \$350 net a Small Order Freight Add will apply.

Changes: All orders are subject to a \$10 change fee per line item changed. Upon receipt of a change order, the date the change order is received becomes the new order receipt date and the lead time clock starts anew. Changes can not be accepted on the day of shipment.

Cancellations: Because of our accelerated shipping commitment we begin work on your order immediately upon receipt. Therefore, all orders cancelled after placement or before shipment will be subject to a 15% cancellation charge.

Damage or Loss: Unless otherwise agreed, all shipments are made F.O.B. Origin. ADP will not be responsible for delays in delivery by carrier, for loss or damage to merchandise in transit, for reconsignment fees or for storage fees due to delay in delivery. Where shortages or damages occur, details should be noted on the freight bill by the customer at time of delivery and reported to ADP within ten (10) days of shipment. In case of concealed damage, customer should call the carrier immediately to inspect damaged merchandise. With the exception of UPS and Fed-Ex ground shipments, all claims must be filed direct with the carrier by the customer. However, we will gladly assist our customer in attempting to secure prompt and satisfactory settlement.

Warranty: ADP warrants our products for a period of twelve (12) months from the date of shipment against defects in materials and workmanship. If a product fails to perform properly within this period, ADP will replace or repair it at our option. This warranty does not extend to and does not cover defects caused by misuse, abuse, accident, improper installation or alteration. This warranty is for materials only and specifically excludes labor for removal or installation, as well as any and all forms of indemnification.

Force Majeure: ADP shall not be liable for delays or defaults in delivery caused by floods, fires, storms or other acts of God, by war or act of public enemy or civil disturbance, strikes, lockouts, shortages of labor or raw materials and suppliers (including fuel) or production facilities, transportation service or equipment shortages or failures, actions or any governmental authority, or other conditions beyond our reasonable control.

Sales: All sales are governed by the Terms and Conditions found on this page. If you do not accept these terms you must notify us within 24 hours of receiving our Acknowledgement. If you accept delivery of our goods, you will be deemed to have accepted these Terms of Sale in full. You further agree that these Terms of Sale supersede any additional or different terms or conditions contained in your purchase order or in any other agreement between you and ADP.

Air Distribution Products

9668 Heinrich Hertz Drive #D, San Diego, CA 92154 • Ph: (800) 322-8676 Fx: (800) 604-3324

	Roof Exhausters – Direct Driven Pages 1-2		Ceiling & Cabinet Fans Pages 21-24
	Roof Exhausters – Belt Driven Pages 3-7		Panasonic Ceiling & Wall Fans Pages 25-28
	Canted Curbs Page 7		Ceiling Fan Accessories Pages 23, 25
	Upblast Roof Exhausters – Belt Driven Pages 9-12		Round Inline Fans Pages 29, 30
	Vented Curbs Page 12		Dryer Booster Fans Pages 31, 32
	Square Inline Fans – Direct Driven Pages 13-14		Gravity Ventilators Page 34
	Square Inline Fans – Belt Driven Pages 15-20		Vibration Isolation Page 35

Direct Drive Roof Exhausters



DCRD Features:

- Direct drive for less maintenance, lower cost, and easier installation
- Spun aluminum housing, non-overloading backwardly inclined aluminum wheel, and forced motor cooling
- AMCA listed for Air & Sound, UL listed
- Aluminum bird screen and wired safety disconnect included
- All motors are dual voltage 115/208-230V (wired for 115V)
- Thermal overload protected motors

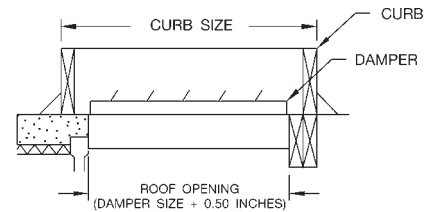
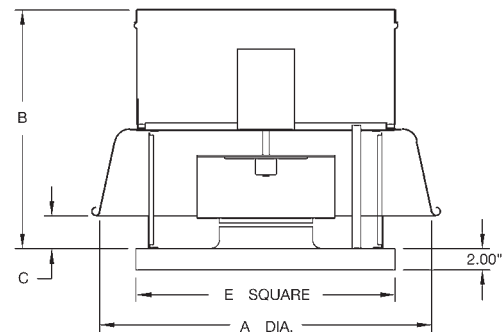


Models:
DCRD60 through DCRD150

Model	A	B	C	E	Avg. Ship Wt. (lbs.)
060	18.50	15.63	2.06	17.00	30
070	18.50	15.63	2.06	17.00	30
080	18.50	15.63	2.06	17.00	32
085	21.00	19.31	2.63	17.00	43
090	21.00	19.31	2.63	17.00	43
095	21.00	19.31	2.63	17.00	43
130	27.88	23.25	4.44	24.00	65
140	27.88	23.50	4.69	24.00	67
150	31.06	26.75	4.63	24.00	77

Notes:

1. All dimensions are in inches unless otherwise indicated
2. Average ship weight is for fan and motor assembly



See page 2 for curb and damper sizes



ADP certifies that the DCRD Series shown herein is licensed to bear the AMCA Seal. The ratings shown are based on tests and procedures performed in accordance with AMCA Publication 211 and AMCA Publication 311 and comply with the requirements of the AMCA Certified Ratings Program.



The DCRD model is cULus 705 listed for electrical, File No. E158680.

Direct Drive Roof Exhausters



Model	HP	SSC Amps	RPM	Fan Capacity – Cubic Feet Per Minute (CFM)												List Price SKU	Backdraft Damper		Roof Curb	
				0.125" SP		0.250" SP		0.375" SP		0.500" SP		0.625" SP		0.750" SP			Size	Add SKU	Size	Add SKU
				CFM	Sones	CFM	Sones	CFM	Sones	CFM	Sones	CFM	Sones	CFM	Sones					
DCRD 060 (1)	1/8	6	1350	174	4.2	121	4.4	-	-	-	-	-	-	-	653 35317	10x10	64 44103	15.5x15.5	179 31438	
			1500	203	5.6	159	5.7	91	5.2	-	-	-	-	-						-
			1650	231	7.9	193	6.8	147	6.6	-	-	-	-	-						-
DCRD 070 (1)	1/8	6	1350	266	5.1	176	5.2	-	-	-	-	-	-	-	653 35318	10x10	64 44103	15.5x15.5	179 31438	
			1500	312	6.2	235	6.1	-	-	-	-	-	-	-						-
			1650	355	8.0	289	7.7	214	7.1	-	-	-	-	-						-
DCRD 080 (1)	1/8	6	1350	319	5.1	198	5.2	-	-	-	-	-	-	-	708 35319	10x10	64 44103	15.5x15.5	179 31438	
			1500	376	6.2	277	6.0	-	-	-	-	-	-	-						-
			1650	432	7.5	345	7.7	240	7.3	-	-	-	-	-						-
DCRD 085 (1)	1/8	6	1350	512	7.7	443	6.6	364	7.0	268	6.7	-	-	-	723 35320	10x10	64 44103	15.5x15.5	179 31438	
			1500	581	8.9	522	7.9	457	8.4	381	7.6	291	7.9	-						-
			1650	650	10.2	598	9.6	540	9.1	479	9.6	407	9.0	325						9.1
DCRD 090 (1)	1/8	6	1350	663	7.6	574	6.8	467	6.8	340	6.8	-	-	-	723 35321	10x10	64 44103	15.5x15.5	179 31438	
			1500	754	8.9	678	8.1	589	8.4	488	7.7	370	8.0	-						-
			1650	842	10.4	776	9.8	701	9.3	616	9.8	521	9.2	413						9.5
DCRD 095 (1)	1/8	6	1350	889	8.3	767	7.8	623	7.5	411	7.1	-	-	-	723 35322	10x10	64 44103	15.5x15.5	179 31438	
			1500	1012	10.6	905	9.8	789	9.9	644	8.4	443	8.4	-						-
			1650	1131	13.6	1038	12.8	936	11.7	823	12.4	682	10.1	497						10.1
DCRD 100	1/8	6	1160	855	8.5	687	8.5	467	7.7	-	-	-	-	1112 35323	10x10	64 44103	15.5x15.5	179 31438		
DCRD 120	1/8	6	1160	1168	9.0	985	8.3	768	8.0	496	8.2	-	-	-	1130 35326	14x14	83 44106	18.5x18.5	202 38001	
DCRD 130	1/4	6	1160	1646	12.1	1470	11.5	1282	12.9	1048	12.1	760	12.7	-	1220 35329	18x18	94 44108	22.5x22.5	227 38002	

(1) Fan comes with 3-speed motor wired to high speed setting. For 1500 or 1350 RPM selections change wiring in field to second or third taps, or use a solid state speed control.

(2) Speed control may only be applied to the 1500 and 1650 RPM taps. Approximate speed reduction is 35%.

Related items

Fan Speed Controls – Page 25

Belt Driven Roof Exhausters



BCRD Features:

- Belt driven for larger air volumes and higher statics
- Spun aluminum housing, non-overloading backwardly inclined aluminum wheel, and forced motor cooling
- AMCA licensed for Air & Sound, UL listed
- Aluminum bird screen and safety disconnect included
- All single phase motors are dual voltage 115/208-230V (wired for 115V)
- All three phase motors are dual voltage 208-230/460V (wired for 460V)
- Thermal overload protected motors

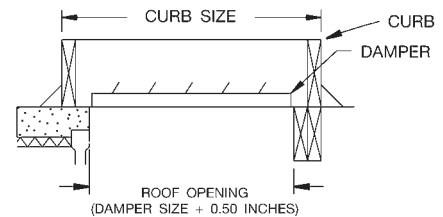
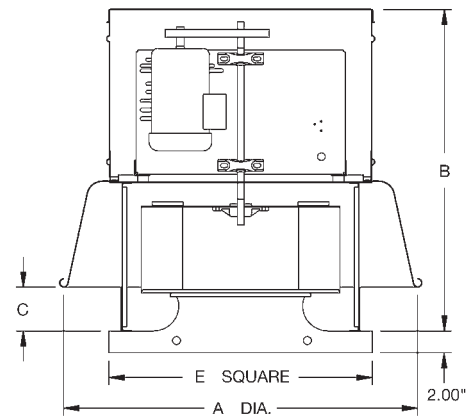


**Models:
BCRD70 through BCRD240**

Model	A	B	C	E	Avg. Ship Wt. (lbs.)
070	25.88	22.13	2.02	17.00	58
075	25.88	22.13	2.02	17.00	58
085	27.88	23.94	2.38	17.00	67
100	27.88	23.94	2.38	20.00	74
120	30.44	28.13	2.56	20.00	78
140	30.44	28.25	2.81	24.00	93
160	32.63	29.00	3.38	26.00	107
180	38.38	33.88	3.75	30.00	130
210	38.38	34.06	4.00	30.00	160
240	43.13	35.88	4.83	34.00	220

Notes:

1. All dimensions are in inches unless otherwise indicated
2. Average ship weight is for fan and motor assembly



See pages 4-7 for
curb and damper sizes



ADP certifies that the BCRD Series shown herein is licensed to bear the AMCA Seal. The ratings shown are based on tests and procedures performed in accordance with AMCA Publication 211 and AMCA Publication 311 and comply with the requirements of the AMCA Certified Ratings Program.



BCRD models are cULus 705 listed for electrical, File No. E158680.

Belt Driven Roof Exhausters



Model	HP	RPM	Fan Capacity – Cubic Feet Per Minute (CFM)												Single Phase List Price SKU	Three Phase List Price SKU	Backdraft Damper		Curb	
			0.125" SP		0.250" SP		0.375" SP		0.500" SP		.625" SP		.750" SP				Size	Add SKU	Size	Add SKU
			Sones	BHP	Sones	BHP	Sones	BHP	Sones	BHP	Sones	BHP	Sones	BHP						
BCRD 070	1/4	795	85												1364 35001	-	10x10	64 44103	15.5x15.5	179 31438
		1125	4.0	0.01																
		1375	197		120															
		1547	7.4	0.02	7.4	0.02														
	1/4	1590	263		214		145													
		1775	6.5	0.03	8.4	0.03	9.1	0.03												
		1945	305		266		216		149											
		2100	6.4	0.04	7.6	0.04	18.4	0.04	8.6	0.04										

Model	HP	RPM	Fan Capacity – Cubic Feet Per Minute (CFM)												Single Phase List Price SKU	Three Phase List Price SKU	Backdraft Damper		Curb	
			0.125" SP		0.250" SP		0.375" SP		0.500" SP		.625" SP		.750" SP				Size	Add SKU	Size	Add SKU
			Sones	BHP	Sones	BHP	Sones	BHP	Sones	BHP	Sones	BHP	Sones	BHP						
BCRD 075	1/4	1060	278												1364 35003	-	10x10	64 44103	15.5x15.5	179 31438
		1180	4.5	0.02																
		1300	327		214															
		1420	4.7	0.03	4.7	0.03														
	1/4	1540	372		291															
		1660	5.2	0.04	5.3	0.05														
		1780	419		355		242													
		1900	6.0	0.06	5.6	0.06	5.4	0.05												

Model	HP	RPM	Fan Capacity – Cubic Feet Per Minute (CFM)												Single Phase List Price SKU	Three Phase List Price SKU	Backdraft Damper		Curb	
			0.125" SP		0.250" SP		0.375" SP		0.500" SP		.625" SP		.750" SP				Size	Add SKU	Size	Add SKU
			Sones	BHP	Sones	BHP	Sones	BHP	Sones	BHP	Sones	BHP	Sones	BHP						
BCRD 085	1/4	975	388		297										1370 35005	-	10x10	64 44103	15.5x15.5	179 31438
		1200	5.6	0.02	4.7	0.02														
		1450	504		445		368		232											
		1600	9.6	0.04	6.5	0.04	6.4	0.04	4.8	0.03										
	1/4	1750	627		587		533		472		393									
		1880	13.1	0.06	10.9	0.06	8.7	0.07	9.1	0.07	6.9	0.07								
		2075	699		665		622		570		513		441							
		2280	14.7	0.08	13.5	0.08	10.8	0.09	9.9	0.09	10.2	0.09	8.2	0.09						

Belt Driven Roof Exhausters



Model	HP	RPM	Fan Capacity – Cubic Feet Per Minute (CFM)												Single Phase List Price	Three Phase List Price	Backdraft Damper		Curb	
			0.125" SP		0.250" SP		0.375" SP		0.500" SP		.625" SP		.750" SP				Size	Add SKU	Size	Add SKU
			Sones	BHP	Sones	BHP	Sones	BHP	Sones	BHP	Sones	BHP	Sones	BHP						
BCRD 100	1/4	775	591		448									1458 35007	-	14x14	83 44106	18.5x18.5	202 38001	
			4.2	0.03	3.9	0.03														
		925	749		651		498													
			5.7	0.06	6.3	0.06	5.4	0.06												
	1/4	1250	1080		999		924		856		755			1458 35008	-	14x14	83 44106	18.5x18.5	202 38001	
			10.1	0.04	8.7	0.14	9.3	0.14	10.0	0.15	8.2	0.15								
		1510	1337		1267		1202		1139		1081		1024							
			14.0	0.24	12.3	0.24	11.6	0.25	11.8	0.25	12.7	0.26	12.7							0.26
	1/3	1590	1416		1349		1285		1225		1167		1114		1458 35009	-	14x14	83 44106	18.5x18.5	202 38001
			14.9	0.27	13.6	0.28	12.6	0.29	12.5	0.29	13.3	0.30	14.1	0.30						
		1665	1489		1424		1363		1305		1248		1196							
			16.1	0.31	14.9	0.32	13.8	0.33	13.3	0.33	13.6	0.34	14.5	0.34						

Model	HP	RPM	Fan Capacity – Cubic Feet Per Minute (CFM)												Single Phase List Price	Three Phase List Price	Backdraft Damper		Curb	
			0.125" SP		0.250" SP		0.375" SP		0.500" SP		.625" SP		.750" SP				Size	Add SKU	Size	Add SKU
			Sones	BHP	Sones	BHP	Sones	BHP	Sones	BHP	Sones	BHP	Sones	BHP						
BCRD 120	1/4	575	563											1546 35011	-	14x14	83 44106	18.5x18.5	202 38001	
			2.7	0.02																
		825	940		817		633													
			5.4	0.06	5.6	0.07	4.9	0.07												
	1/4	1050	1255		1163		1067		942					1546 35010	-	14x14	83 44106	18.5x18.5	202 38001	
			8.7	0.12	7.9	0.13	7.9	0.13	8.2	0.14										
		1300	1598		1517		1444		1371		1284		1181							
			12.6	0.23	11.5	0.24	10.8	0.25	10.7	0.25	11.3	0.26	11.3							0.26
	1/3	1365	1686		1609		1537		1469		1393		1302		1567 35012	-	14x14	83 44106	18.5x18.5	202 38001
			13.6	0.27	12.7	0.28	11.7	0.28	11.6	0.29	11.7	0.30	12.3	0.30						
		1430	1774		1699		1629		1565		1497		1417							
			14.5	0.30	13.8	0.32	12.9	0.32	12.4	0.33	12.5	0.34	13.1	0.34						
	1/2	1540	1921		1852		1785		1723		1663		1598		1704 35013	1783 35014	14x14	83 44106	18.5x18.5	202 38001
			16.4	0.38	15.7	0.39	14.7	0.40	13.9	0.41	13.8	0.42	14.0	0.42						
		1650	2068		2003		1940		1880		1824		1767							
			17.9	0.46	17.9	0.48	16.8	0.49	15.9	0.50	15.5	0.51	15.1	0.51						

Model	HP	RPM	Fan Capacity – Cubic Feet Per Minute (CFM)												Single Phase List Price	Three Phase List Price	Backdraft Damper		Curb	
			0.125" SP		0.250" SP		0.375" SP		0.500" SP		.625" SP		.750" SP				Size	Add SKU	Size	Add SKU
			Sones	BHP	Sones	BHP	Sones	BHP	Sones	BHP	Sones	BHP	Sones	BHP						
BCRD 140	1/4	475	584											1564 35017	-	18x18	94 44108	22.5x22.5	227 38002	
			2.0	0.02																
		550	762																	
	3.0		0.03																	
	1/4	825	1345		1183		1071							1564 35016	-	18x18	94 44108	22.5x22.5	227 38002	
			6.7	0.10	6.2	0.11	6.2	0.11												
		1105	1883		1779		1659		1536		1415		1264							
			11.0	0.24	10.5	0.25	9.6	0.25	10.2	0.26	10.3	0.26	8.7							0.26
	1/3	1165	1996		1898		1788		1670		1558		1433		1588 35018	-	18x18	94 44108	22.5x22.5	227 38002
			12.0	0.28	11.6	0.29	10.7	0.30	10.8	0.30	11.6	0.30	10.6	0.30						
		1225	2108		2616		1915		1803		1694		1586							
			13.0	0.32	13.0	0.33	11.7	0.34	11.6	0.35	12.3	0.35	12.4	0.35						
	1/2	1310	2266		2181		2091		1989		1883		1783		1725 35019	1804 35020	18x18	94 44108	22.5x22.5	227 38002
			14.4	0.39	14.8	0.41	13.8	0.42	13.3	0.42	13.4	0.43	14.2	0.43						
		1400	2432		2354		2272		2181		2083		1985							
			16.2	0.47	16.2	0.49	16.1	0.51	15.6	0.51	15.2	0.52	15.4	0.52						
	3/4	1500	2616		2544		2469		2388		2300		2208		1956 35021	1895 35022	18x18	94 44108	22.5x22.5	227 38002
			19.0	0.58	19.0	0.60	18.6	0.61	17.9	0.63	16.9	0.63	16.7	0.64						
1605		2809		2742		2673		2600		2522		2438								
		21.0	0.70	21.0	0.73	21.0	0.75	19.9	0.76	18.8	0.77	18.5	0.78							

White dots = Low demand items. Check availability before quoting.

Belt Driven Roof Exhausters



Model	HP	RPM	Fan Capacity – Cubic Feet Per Minute (CFM)												Single Phase List Price	Three Phase List Price	Backdraft Damper		Curb	
			0.125" SP		0.250" SP		0.375" SP		0.500" SP		.625" SP		.750" SP				Size	Add SKU	Size	Add SKU
			Sones	BHP	Sones	BHP	Sones	BHP	Sones	BHP	Sones	BHP	Sones	BHP						
BCRD 160	1/4	475	1001												1813	-	20x20	114	24.5x24.5	237
			2.8	0.04																
	625	1590												35024	-	20x20	114	24.5x24.5	237	
		4.8	0.08	4.9	0.08															
	1/4	775	1987												1813	-	20x20	114	24.5x24.5	237
			7.6	0.14	6.5	0.15	7.0	0.15	5.8	0.15										
	930	2449												35025	-	20x20	114	24.5x24.5	237	
		10.6	0.24	9.6	0.25	8.7	0.26	9.2	0.26	9.1	0.26									
	1/3	975	2582												1837	-	20x20	114	24.5x24.5	237
			11.4	0.27	10.4	0.28	9.7	0.30	9.8	0.30	10.0	0.30	8.8	0.30						
	1020	2713												35026	-	20x20	114	24.5x24.5	237	
		12.1	0.31	11.5	0.32	10.4	0.33	10.0	0.34	10.6	0.35	10.3	0.34							
	1/2	1100	2945												1971	2044	20x20	114	24.5x24.5	237
			13.3	0.39	13.0	0.40	12.0	0.41	11.2	0.43	11.4	0.43	12.0	0.44						
1180	3176												35027	35028	20x20	114	24.5x24.5	237		
	14.5	0.48	14.5	0.49	13.6	0.50	12.7	0.52	12.3	0.53	12.8	0.54								
3/4	1260	3405												2199	2141	20x20	114	24.5x24.5	237	
		16.2	0.58	16.2	0.59	15.4	0.61	14.5	0.62	13.7	0.64	13.6	0.65							
1340	3634												35029	35030	20x20	114	24.5x24.5	237		
	17.6	0.70	17.6	0.71	17.2	0.73	16.2	0.74	15.3	0.76	14.7	0.77								

Model	HP	RPM	Fan Capacity – Cubic Feet Per Minute (CFM)												Single Phase List Price	Three Phase List Price	Backdraft Damper		Curb	
			0.125" SP		0.250" SP		0.375" SP		0.500" SP		.750" SP		Size	Add SKU			Size	Add SKU		
			Sones	BHP	Sones	BHP	Sones	BHP	Sones	BHP	Sones	BHP								
BCRD 180	1/3	575	2389												2108	-	24x24	139	28.5x28.5	277
			6.5	0.16	6.4	0.17	6.2	0.17												
	725	3207												35035	-	24x24	139	28.5x28.5	277	
		10.8	0.31	8.9	0.33	9.3	0.34	10.0	0.35											
	1/2	780	3498												2248	2323	24x24	139	28.5x28.5	277
			12.3	0.39	10.4	0.41	10.0	0.42	11.1	0.43	9.5	0.43								
	830	3761												35036	35037	24x24	139	28.5x28.5	277	
		13.9	0.47	11.8	0.48	11.2	0.50	11.8	0.51	12.1	0.53									
	3/4	890	4073												2475	2415	24x24	139	28.5x28.5	277
			15.8	0.57	13.9	0.59	12.6	0.61	12.6	0.62	14.0	0.64								
	950	4383												35038	35039	24x24	139	28.5x28.5	277	
		17.6	0.69	15.9	0.71	14.2	0.73	14.0	0.75	15.0	0.77									
	1	1000	4640												-	2706	24x24	139	28.5x28.5	277
			19.0	0.80	17.2	0.83	15.7	0.85	15.0	0.87	15.8	0.90								
1045	4870												35031	35031	24x24	139	28.5x28.5	277		
	20.0	0.91	19.1	0.94	17.2	0.96	16.1	0.98	16.6	0.01										

Model	HP	RPM	Fan Capacity – Cubic Feet Per Minute (CFM)												Single Phase List Price	Three Phase List Price	Backdraft Damper		Curb	
			0.125" SP		0.250" SP		0.375" SP		0.500" SP		.625" SP		.750" SP				Size	Add SKU	Size	Add SKU
			Sones	BHP	Sones	BHP	Sones	BHP	Sones	BHP	Sones	BHP	Sones	BHP						
BCRD 210	1/3	480	2673												2132	-	24x24	139	28.5x28.5	277
			6.2	0.17	6.1	0.18	5.2	0.18												
	595	3507												35044	-	24x24	139	28.5x28.5	277	
		10.1	0.31	8.3	0.33	8.8	0.35	8.2	0.35	7.4	0.32									
	1/2	650	3890												2266	2339	24x24	139	28.5x28.5	277
			12.5	0.40	10.2	0.42	9.8	0.44	10.5	0.46	9.1	0.46	8.5	0.42						
	680	4096												35045	35046	24x24	139	28.5x28.5	277	
		13.4	0.45	11.4	0.48	10.5	0.50	11.3	0.52	10.8	0.53	9.3	0.50							
	3/4	720	4369												2490	2433	24x24	139	28.5x28.5	277
			15.1	0.53	13.3	0.56	11.6	0.59	12.2	0.61	12.7	0.63	11.2	0.63						
	770	4707												35047	35048	24x24	139	28.5x28.5	277	
		17.0	0.65	15.7	0.68	13.7	0.70	13.3	0.73	14.3	0.76	14.3	0.77							

White dots = Low demand items. Check availability before quoting.

BCRD 210 performance continued on next page

Belt Driven Roof Exhausters



BCRD 210 performance continued from previous page

Model	HP	RPM	Fan Capacity – Cubic Feet Per Minute (CFM)												Single Phase List Price SKU	Three Phase List Price SKU	Backdraft Damper		Curb			
			0.125" SP		0.250" SP		0.375" SP		0.500" SP		.625" SP		.750" SP				Size	Add SKU	Size	Add SKU		
			Sones	BHP	Sones	BHP	Sones	BHP	Sones	BHP	Sones	BHP	Sones	BHP								
BCRD 210	1	800	4909		4667		4389		4089		3812		3520		-	2724 35040	24x24	139 44111	28.5x28.5	277 38004		
			18.2	0.72	17.2	0.75	15.0	0.78	14.3	0.81	14.8	0.84	15.4	0.86								
		5277		5054		4808		4527		4257		3999										
		20.0	0.88	19.2	0.91	17.6	0.94	16.1	0.97	16.1	1.00	16.7	1.03									
	1-1/2	900	5577		5368		5141		4882		4616		4369				-	2873 35041	24x24	139 44111	28.5x28.5	277 38004
			22.0	1.02	21.0	1.05	19.8	1.09	18.1	1.12	17.3	1.15	17.7	1.19								
		6073		5884		5681		5459		5213		4970										
		25.0	1.29	25.0	1.33	23.0	1.36	22.0	1.40	20.0	1.44	19.6	1.47									

Model	HP	RPM	Fan Capacity – Cubic Feet Per Minute (CFM)												Single Phase List Price SKU	Three Phase List Price SKU	Backdraft Damper		Curb	
			0.125" SP		0.250" SP		0.375" SP		0.500" SP		.625" SP		.750" SP				Size	Add SKU	Size	Add SKU
			Sones	BHP	Sones	BHP	Sones	BHP	Sones	BHP	Sones	BHP	Sones	BHP						
BCRD 240	1/2	530	4864		4405		3856		3315		2575		3034 35054	3107 35055	28x28	181 44112	32.5x32.5	315 38005		
			9.1	0.41	8.5	0.44	8.8	0.47	8.8	0.47	7.7	0.46								
		5082		4640		4134		3600		3002										
		9.7	0.45	8.9	0.49	9.3	0.52	9.5	0.53	8.2	0.53									
	3/4	580	5407		4987		4538		4010		3516		2806		3259 35056	3201 35057	28x28	181 44112	32.5x32.5	315 38005
			10.8	0.52	10.0	0.57	10.0	0.60	10.6	0.61	10.3	0.62	9.2	0.60						
		5891		5497		5160		4634		4164		3683								
		12.5	0.65	12.0	0.70	11.6	0.73	12.0	0.76	12.5	0.77	11.5	0.78							
	1	650	6158		5777		5406		4977		4505		4073		-	3493 35049	28x28	181 44112	32.5x32.5	315 38005
			13.3	0.72	12.8	0.78	12.5	0.82	12.6	0.85	13.4	0.87	13.1	0.87						
		6583		6222		5874		5502		5059		4634								
		14.9	0.86	14.4	0.92	14.0	0.96	13.9	1.00	14.7	1.02	14.9	1.04							
	1-1/2	750	7216		6883		6558		6236		5875		5460		-	3642 35050	28x28	181 44112	32.5x32.5	315 38005
			16.8	1.09	16.5	1.16	16.0	1.21	15.8	1.26	15.9	1.29	16.6	1.32						
		7636		7320		7008		6704		6384		6013								
		18.1	1.26	17.6	1.34	17.2	1.40	16.9	1.45	16.8	1.49	17.3	1.53							
	2	840	8158		7860		7565		7278		6989		6674		-	3845 35051	28x28	181 44112	32.5x32.5	315 38005
			19.8	1.50	19.6	1.59	19.1	1.66	18.7	1.72	18.6	1.77	18.6	1.81						
		8470		8183		7897		7618		7342		7051								
		21.0	1.67	21.0	1.75	19.8	1.83	19.5	1.89	19.2	1.94	19.2	1.99							

White dots = Low demand items. Check availability before quoting.

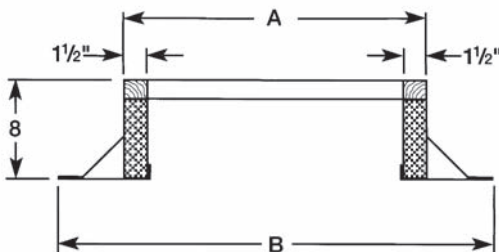
Canted Roof Curbs

Features:

- Galvanized steel construction
- Self-flashing design
- Insulated
- Wood nailer



Model: CURB 08



Model	A	B	List Price	SKU
CURB 08 15H	15.5	23.5	179	31438
CURB 08 18H	18.5	26.5	202	38001
CURB 08 22H	22.5	30.5	227	38002
CURB 08 24H	24.5	32.5	237	38003
CURB 08 28H	28.5	36.5	277	38004
CURB 08 32H	32.5	40.5	315	38005
CURB 08 38H	38.5	46.5	376	38006
CURB 08 44H	44.5	52.5	434	38007
CURB 08 50H	50.5	58.5	493	38008
CURB 08 56H	56.5	64.5	551	38009

SINGLE PHASE

HP	115V	208V	230V
1/6	3.8	2.0	1.9
1/4	4.2	2.1	2.1
1/3	6.2	3.1	3.1
1/2	8.2	4.1	4.1
3/4	10.0	5.0	5.0
1	13.7	6.8	6.8

The above values of full-load currents are for motors running at usual speeds for direct connected motors with normal torque characteristics. Motors built for especially low speeds or high torques may have higher full-load currents and multi-speed motors will have full-load current varying with speed, in which case the nameplate current ratings apply.

The voltages listed are rated motor voltages. The currents listed are permitted for system voltage ranges of 110 to 120 and 230 to 240 volts.

THREE PHASE

HP	208V	230V	460V
1/2	2.4	2.4	1.2
3/4	1.7	1.7	0.9
1	3.6	3.6	1.8
1-1/2	4.8	4.8	2.4
2	6.0	6.0	3.0
3	9.3	8.4	4.2
5	14.6	13.2	6.6

The table data shown above is from the NEC 1996 edition, table 430-150.

The above values of full-load currents are typical for motors running at speeds usual for belted motors with normal torque characteristics. Motors built for low speeds (1200 RPM or less) or high torques may require more running current, and multi-speed motors will have full-load current varying with speed, in which case the nameplate current ratings apply.

The voltages listed are rated motor voltages. The currents listed are permitted for system voltage ranges of 230 to 240 and 440 to 480 volts.

The amperages given here are approximate values only and represent averages compiled from the tables of leading motor manufacturers. Overload relay heaters should not be selected on the basis of these tables only. Heaters must be selected in accordance with the actual motor current as shown on the nameplate. It is also important that ambient temperatures of the area in which the motor control is located be taken into consideration when making heater selection. Ambient compensated overload relays are available for abnormal temperature conditions.

NOTE: On most roof exhausters the motor synchronous speed is 1800 RPM.

Belt Driven Upblast Exhausters



UL US
UL Listed
E158680
MH-25478

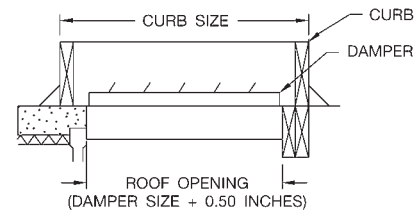
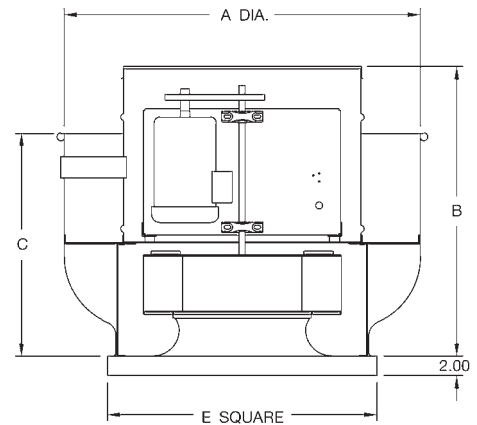


BCRUR Features:

- Upblast design ideal for exhausting fumes and contaminants
- UL 762 listed for grease exhaust applications
- AMCA licensed for Air & Sound, UL listed
- Spun aluminum housing, non-overloading backwardly inclined aluminum wheel, and forced motor cooling
- Safety disconnect included
- All single phase motors are dual voltage 115/208-230V (wired for 115V)
- All three phase motors are dual voltage 208-230/460V (wired for 460V)
- Screen kits available for non-grease applications
- Thermal overload protected motors



Models:
BCRUR110 through BCRUR240



See pages 10-12 for curb and damper sizes

Model	A	B	C	E	Avg. Ship Wt. (lbs.)
110	30.00	28.56	28.00	24.00	135
120	30.00	27.19	28.00	24.00	135
140	30.00	27.68	28.00	24.00	145
140HP	30.00	28.58	28.00	24.00	135
160MP	30.00	28.44	28.00	24.00	180
180MP	36.00	29.19	30.00	30.00	180
210HP	45.00	32.94	28.25	34.00	245
240HP	45.00	34.31	28.25	34.00	245

Notes:

1. All dimensions are in inches unless otherwise indicated
2. Average ship weight is for fan and motor assembly



ADP certifies that the BCRUR Series shown herein is licensed to bear the AMCA Seal. The ratings shown are based on tests and procedures performed in accordance with AMCA Publication 211 and AMCA Publication 311 and comply with the requirements of the AMCA Certified Ratings Program.



BCRUR models are cULus 705 listed, for electrical, File No. E158680. The BCRUR models are also cULus 762 listed, for the exhaust of grease-laden air, File No. MH-25478.

BCRUR Galvanized Steel Bird Screen Kits (for non-grease applications only)		
Fan Size	List Price	SKU
110, 120, 140, 160	33	35546
180	64	35547
210, 240	73	35548

Belt Driven Upblast Exhausters



UL Listed
E158680
MH-25478



Model	HP	RPM	Fan Capacity – Cubic Feet Per Minute (CFM)												Single Phase List Price SKU	Three Phase List Price SKU	Backdraft Damper		Curb								
			0.25" SP		0.50" SP		0.75" SP		1.00" SP		1.25" SP		1.50" SP				Size	Add SKU	Size	Add SKU							
			Sones	BHP	Sones	BHP	Sones	BHP	Sones	BHP	Sones	BHP	Sones	BHP													
BCRUR 110	1/4	750	384											2044 35058	-	18x18	160 44108	22.5x22.5	359 38010								
			2.8	0.03																							
		925	652																								
			5.1	0.06																							
		1025	774		433																						
			5.6	0.08	5.0	0.07																					
	1125	887		666																							
		6.6	0.10	6.4	0.10																						
	1/4	1250	1023		846										2044 35059	-	18x18	94 44108	22.5x22.5	359 38010							
			8.0	0.14	8.3	0.14																					
		1330	1107		950		732																				
			9.2	0.17	9.0	0.17	7.7	0.17																			
		1375	1154		1006		811																				
	9.8		0.18	9.1	0.19	8.7	0.19																				
	1515	1299		1170		1015		802																			
11.8		0.24	10.3	0.25	11.2	0.25	9.3	0.24																			
1/3	1585	1370		1248		1108		932						2067 35060	-	18x18	94 44108	22.5x22.5	359 38010								
		13.1	0.28	11.2	0.28	12.0	0.29	10.6	0.29																		
	1670	1456		1341		1214		1061		841																	
14.2		0.32	12.5	0.33	12.7	0.34	12.8	0.34	10.9	0.32																	
1/2	1795	1581		1475		1363		1233		1078		825		2205 35061	2632 35062	18x18	94 44108	22.5x22.5	359 38010								
		16.3	0.40	14.2	0.41	13.6	0.42	14.4	0.42	13.3	0.42	12.0	0.38														
	1920	1704		1607		1505		1392		1261		1106															
17.8		0.48	16.5	0.50	15.1	0.51	15.3	0.51	16.1	0.52	14.0	0.51															

Model	HP	RPM	Fan Capacity – Cubic Feet Per Minute (CFM)												Single Phase List Price SKU	Three Phase List Price SKU	Backdraft Damper		Curb	
			0.25" SP		0.50" SP		0.75" SP		1.00" SP		1.25" SP		1.50" SP				Size	Add SKU	Size	Add SKU
			Sones	BHP	Sones	BHP	Sones	BHP	Sones	BHP	Sones	BHP	Sones	BHP						
BCRUR 120	1/4	975	1042		753									2099 35063	-	18x18	94 44108	22.5x22.5	359 38010	
			6.5	0.11	5.6	0.10														
		1305	1513		1362		1159													
	10.8		0.24	10.1	0.26	10.6	0.26													
	1/3	1370	1604		1460		1282		1040					2120 35065	-	18x18	94 44108	22.5x22.5	359 38010	
			11.8	0.28	10.6	0.29	11.8	0.31	9.6	0.29										
		1435	1695		1556		1399		1195											
	12.8		0.32	11.4	0.33	12.2	0.35	11.7	0.34											
	1/2	1545	1847		1715		1583		1411		1200			2257 35066	2688 35067	18x18	94 44108	22.5x22.5	359 38010	
14.6			0.39	13.1	0.41	13.0	0.43	14.0	0.43	12.1	0.42									
1655		1998		1872		1754		1612		1438		1202								
	16.6	0.48	14.6	0.50	14.3	0.52	15.2	0.53	15.3	0.53	13.1	0.51								

Model	HP	RPM	Fan Capacity – Cubic Feet Per Minute (CFM)												Single Phase List Price SKU	Three Phase List Price SKU	Backdraft Damper		Curb	
			0.25" SP		0.50" SP		0.75" SP		1.00" SP		1.25" SP		1.50" SP				Size	Add SKU	Size	Add SKU
			Sones	BHP	Sones	BHP	Sones	BHP	Sones	BHP	Sones	BHP	Sones	BHP						
BCRUR 140	1/3	1140	1976		1735									2261 35070	-	18x18	94 44108	22.5x22.5	359 38010	
			11.7	0.29	11.6	0.30														
		1200	2104		1882		1586													
	12.8		0.33	12.0	0.35	12.1	0.36													
	1/2	1305	2327		2125		1885							2395 35071	2825 35072	18x18	94 44108	22.5x22.5	359 38010	
			15.5	0.42	13.5	0.45	14.6	0.46												
		1370	2464		2269		2058		1785											
	17.5		0.48	14.6	0.51	15.2	0.53	14.5	0.53											
	3/4	1475	2682		2499		2318		2089					2626 35073	3115 35074	18x18	94 44108	22.5x22.5	359 38010	
21.0			0.60	17.1	0.63	16.6	0.65	17.5	0.66											
1565		2869		2693		2527		2332		2094										
	23.0	0.71	19.0	0.74	17.6	0.77	18.7	0.79	18.1	0.79										

White dots = Low demand items. Check availability before quoting.

Belt Driven Upblast Exhausters



Model	HP	RPM	Fan Capacity – Cubic Feet Per Minute (CFM)												Single Phase List Price SKU	Three Phase List Price SKU	Backdraft Damper		Curb	
			0.75" SP		1.00" SP		1.25" SP		1.50" SP		1.75" SP		2.00" SP				Size	Add SKU	Size	Add SKU
			Sones	BHP	Sones	BHP	Sones	BHP	Sones	BHP	Sones	BHP	Sones	BHP						
BCRUR 140HP	1/4	1450	924												2363 35075	-	18x18	94 44108	22.5x22.5	359 38010
			10.2 0.22																	
	1525	1028												2363 35076	-	18x18	94 44108	22.5x22.5	359 38010	
		11.3 0.26		9.3 0.25																
	1/3	1600	1127												2363 35076	-	18x18	94 44108	22.5x22.5	359 38010
			12.0 0.30		11.2 0.30															
	1680	1227												2522 35077	2951 35078	18x18	94 44108	22.5x22.5	359 38010	
		12.7 0.34		12.8 0.35		10.9 0.33														
	1/2	1810	1381												2752 35079	3241 35080	18x18	94 44108	22.5x22.5	359 38010
			13.6 0.43		14.5 0.43		13.7 0.43		12.3 0.40											
	1940	1527												2752 35079	3241 35080	18x18	94 44108	22.5x22.5	359 38010	
		15.1 0.52		15.4 0.53		16.2 0.53		14.7 0.53		13.4 0.48										
3/4	2075	1675												2752 35079	3241 35080	18x18	94 44108	22.5x22.5	359 38010	
		17.1 0.63		16.6 0.64		17.7 0.65		17.7 0.65		15.6 0.64		14.8 0.59								
2205	1814												2752 35079	3241 35080	18x18	94 44108	22.5x22.5	359 38010		
	18.9 0.76		17.9 0.77		18.1 0.77		19.1 0.78		19.0 0.78		16.6 0.77									

Model	HP	RPM	Fan Capacity – Cubic Feet Per Minute (CFM)												Single Phase List Price SKU	Three Phase List Price SKU	Backdraft Damper		Curb	
			0.50" SP		0.75" SP		1.00" SP		1.25" SP		1.50" SP		1.75" SP				Size	Add SKU	Size	Add SKU
			Sones	BHP	Sones	BHP	Sones	BHP	Sones	BHP	Sones	BHP	Sones	BHP						
BCRUR 160MP	1/3	975	1786												2450 35097	-	18x18	94 44108	22.5x22.5	359 38010
			11.4 0.29		8.4 0.29															
	1020	1928												2586 35098	3016 35099	18x18	94 44108	22.5x22.5	359 38010	
		12.1 0.33		9.8 0.34																
	1/2	1100	2169												2586 35098	3016 35099	18x18	94 44108	22.5x22.5	359 38010
			12.6 0.42		13.3 0.42															
	1185	2414												2817 35100	3306 35101	18x18	94 44108	22.5x22.5	359 38010	
		14.1 0.52		15.2 0.53		12.7 0.53														
	3/4	1265	2634												3048 35095	-	18x18	94 44108	22.5x22.5	359 38010
			15.5 0.62		16.5 0.64		16.4 0.64		12.8 0.63											
	1345	2848												3048 35095	-	18x18	94 44108	22.5x22.5	359 38010	
		17.1 0.74		17.1 0.76		18.8 0.77		16.5 0.78												
1	1415	3032												-	3048 35095	18x18	94 44108	22.5x22.5	359 38010	
		18.6 0.86		18.6 0.88		19.8 0.89		19.9 0.90		16.2 0.89										
1490	3229												-	3048 35095	18x18	94 44108	22.5x22.5	359 38010		
	20.0 1.00		19.4 1.02		20.0 1.04		22.0 1.05		20.0 1.05		17.9 1.03									

Model	HP	RPM	Fan Capacity – Cubic Feet Per Minute (CFM)												Single Phase List Price SKU	Three Phase List Price SKU	Backdraft Damper		Curb	
			0.50" SP		0.75" SP		1.00" SP		1.25" SP		1.50" SP		1.75" SP				Size	Add SKU	Size	Add SKU
			Sones	BHP	Sones	BHP	Sones	BHP	Sones	BHP	Sones	BHP	Sones	BHP						
BCRUR 180MP	1/2	930	2414												2996 35125	3005 35126	24x24	139 44111	28.5x28.5	413 38011
			11.1 0.42		11.3 0.43															
	995	2688												2996 35125	3005 35126	24x24	139 44111	28.5x28.5	413 38011	
		12.3 0.51		13.0 0.53		11.1 0.51														
	3/4	1060	2947												3159 35127	3099 35128	24x24	139 44111	28.5x28.5	413 38011
			13.8 0.61		14.2 0.64		13.6 0.63													
	1130	3216												3159 35127	3099 35128	24x24	139 44111	28.5x28.5	413 38011	
		15.6 0.73		15.0 0.76		15.9 0.78		14.0 0.75												
	1	1190	3443												-	3389 35120	24x24	139 44111	28.5x28.5	413 38011
			16.8 0.85		16.3 0.88		17.3 0.90		16.8 0.90											
	1250	3667												-	3389 35120	24x24	139 44111	28.5x28.5	413 38011	
		18.9 0.98		18.2 1.01		18.3 1.04		19.0 1.05		17.1 1.03										
1-1/2	1340	3999												-	3537 35121	24x24	139 44111	28.5x28.5	413 38011	
		21.0 1.19		20.0 1.23		19.9 1.26		21.0 1.29		21.0 1.29		19.0 1.26								
1430	4329												-	3537 35121	24x24	139 44111	28.5x28.5	413 38011		
	23.0 1.43		22.0 1.48		22.0 1.52		23.0 1.55		24.0 1.57		24.0 1.56									

White dots = Low demand items. Check availability before quoting.

Belt Driven Upblast Exhausters



Model	HP	RPM	Fan Capacity – Cubic Feet Per Minute (CFM)												Single Phase List Price SKU	Three Phase List Price SKU	Backdraft Damper		Curb	
			0.50" SP		0.75" SP		1.00" SP		1.50" SP		2.00" SP		2.50" SP				Size	Add SKU	Size	Add SKU
			Sones	BHP	Sones	BHP	Sones	BHP	Sones	BHP	Sones	BHP	Sones	BHP						
BCRUR 210HP	3/4	850	3491		3041		2574								3376 35144	3314 35145	28x28	181 44112	32.5x32.5	448 38012
			11.3 0.54		12.5 0.61		11.1 0.66													
	3/4	895	3762		3344		2913								-	3743 35138	28x28	181 44112	32.5x32.5	448 38012
			12.1 0.61		13.5 0.69		12.3 0.75													
	1	950	4085		3705		3296		2287						-	3743 35138	28x28	181 44112	32.5x32.5	448 38012
			13.4 0.72		14.2 0.79		14.3 0.87		14.0 0.91											
	1	990	4317		3959		3569		2720						-	3743 35138	28x28	181 44112	32.5x32.5	448 38012
			14.8 0.80		14.8 0.87		15.4 0.96		14.7 1.05											
	1-1/2	1050	4661		4330		3972		3224						-	3696 35139	28x28	181 44112	32.5x32.5	448 38012
			16.5 0.94		15.7 1.01		17.0 1.10		15.6 1.23											
	1-1/2	1135	5141		4837		4520		3840		3064				-	3696 35139	28x28	181 44112	32.5x32.5	448 38012
			19.1 1.15		18.1 1.24		18.3 1.32		18.8 1.51		18.6 1.58									
2	1200	5504		5216		4924		4286		3624		2503		-	3903 35140	28x28	181 44112	32.5x32.5	448 38012	
		21.0 1.34		19.4 1.43		19.3 1.52		21.0 1.73		19.8 1.85		20.0 1.77								
2	1250	5781		5503		5226		4625		4006		3235		-	3903 35140	28x28	181 44112	32.5x32.5	448 38012	
		23.0 1.50		21.0 1.59		20.0 1.68		22.0 1.90		21.0 2.06		22.0 2.10								

Model	HP	RPM	Fan Capacity – Cubic Feet Per Minute (CFM)												Single Phase List Price SKU	Three Phase List Price SKU	Backdraft Damper		Curb	
			0.50" SP		0.75" SP		1.00" SP		1.50" SP		2.00" SP		2.50" SP				Size	Add SKU	Size	Add SKU
			Sones	BHP	Sones	BHP	Sones	BHP	Sones	BHP	Sones	BHP	Sones	BHP						
BCRUR 240HP	1	780	4473		3924		3264								-	4615 35155	28x28	181 44112	32.5x32.5	448 38012
			13.5 0.73		15.2 0.82		13.0 0.89													
	1	825	4838		4348		3765		1820						-	4615 35155	28x28	181 44112	32.5x32.5	448 38012
			14.1 0.83		15.6 0.94		15.3 1.02		13.1 0.92											
	1-1/2	880	5273		4841		4329		3043						-	4762 35156	28x28	181 44112	32.5x32.5	448 38012
			15.3 0.98		16.0 1.09		17.0 1.19		15.2 1.28											
	1-1/2	940	5741		5352		4904		3819						-	4762 35156	28x28	181 44112	32.5x32.5	448 38012
			16.5 1.16		16.5 1.28		17.9 1.40		15.9 1.56											
	2	990	6127		5761		5359		4390		3090				-	4969 35157	28x28	181 44112	32.5x32.5	448 38012
			17.8 1.32		17.3 1.46		18.2 1.58		18.4 1.79		17.3 1.79									
	2	1035	6473		6121		5753		4870		3781				-	4969 35157	28x28	181 44112	32.5x32.5	448 38012
			19.2 1.48		18.2 1.62		18.5 1.76		19.9 1.99		18.4 2.10									
3	1100	6969		6633		6300		5519		4580		3328		-	5087 35158	28x28	181 44112	32.5x32.5	448 38012	
		22.0 1.75		20.0 1.89		19.8 2.04		22.0 2.30		20.0 2.50		20.0 2.43								
3	1185	7612		7293		6987		6316		5518		4585		-	5087 35158	28x28	181 44112	32.5x32.5	448 38012	
		25.0 2.13		23.0 2.29		22.0 2.45		24.0 2.75		25.0 3.0		23.0 3.15								

White dots = Low demand items. Check availability before quoting.

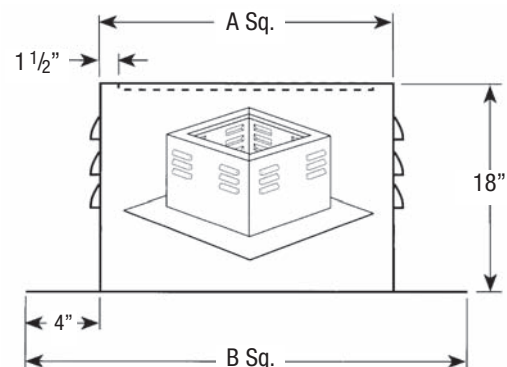
Vented Roof Curbs

Features:

- Galvanized steel construction
- One-piece vented design
- Meets NFPA requirements for a 40" discharge height with BCRUR Series grease exhaust fan

Model	A	B	Curb List Price	SKU	Hinged Kit List Add	SKU
CURB18 23H	23.5	31.5	359	38010	128	35543
CURB18 29H	29.5	37.5	413	38011	173	35544
CURB18 33H	33.5	41.5	448	38012	194	35545
CURB18 36H	39.5	47.5	508	38013		
CURB18 44H	45.5	53.5	620	38014		

Model: CURB 18



BCRUR grease box with drain (attaches to curb)			
List Price	222	SKU	35549

DSI Features:

- Direct drive for easier maintenance and lower cost
- AMCA licensed for Air & Sound, UL listed
- Compact galvanized housing with removable side panels
- Non-overloading, backwardly inclined aluminum wheel
- Motor enclosure and safety disconnect included
- All motors are dual voltage 115/208-230V (wired for 115V)
- Thermal overload protected motors

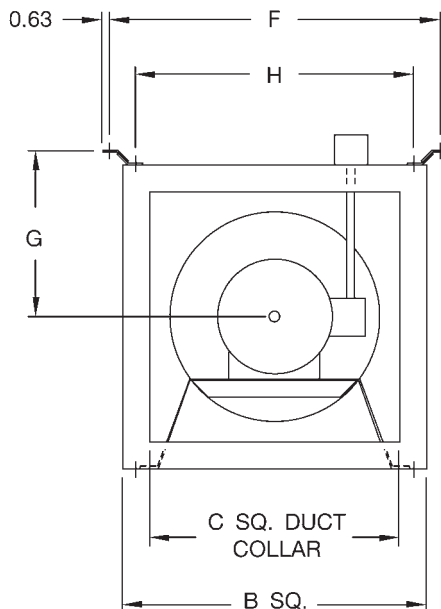


Model	A	B	C	D	E	F	G	H	Avg. Ship Wt. (lbs.)	Side Discharge Size
080A	19.00	15.33	11.88	1.00	16.50	19.50	8.63	13.56	93	11.88 x 11.88
090A	19.00	15.33	11.88	1.00	16.50	19.50	8.63	13.56	96	11.88 x 11.88
100A	20.50	17.81	13.88	1.00	19.00	21.06	10.38	16.00	106	13.88 x 13.88
120A	21.50	19.38	15.88	1.00	20.00	22.06	11.13	17.00	127	15.88 x 15.88
135A/135AN	23.00	21.56	17.88	1.00	21.50	24.25	12.19	19.16	132	17.88 x 17.88
150A/150AN	24.00	23.82	19.88	1.00	22.50	26.38	13.29	21.31	157	19.88 x 19.88
165A/165AN	26.00	26.50	22.88	1.00	24.50	29.06	14.64	24.00	167	22.88 x 22.88

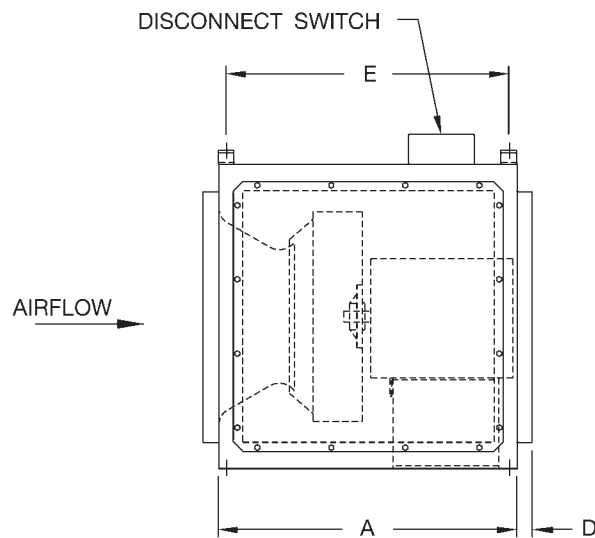
Notes:

1. All dimensions are in inches unless otherwise indicated
2. Average ship weight is for fan and motor assembly

Models: DSI080 through DSI165AN



END VIEW



SIDE VIEW

Direct Driven Square Inline Fan



Model	HP	SSC Amps (115V)	RPM	Fan Capacity – Cubic Feet Per Minute (CFM)												List Price SKU	Backdraft Damper	
				0.125" SP		0.250" SP		0.500" SP		0.750" SP		1.000" SP		1.250" SP			Size	Add SKU
				CFM	Sones	CFM	Sones	CFM	Sones	CFM	Sones	CFM	Sones	CFM	Sones			
DSI 080A (1) (2)	1/8	6	1350	462	7.7	–	–	–	–	–	–	–	–	–	–	1181 35343	12x12	67 44105
			1500	523	9.1	481	7.7	–	–	–	–	–	–	–	–			
			1650	583	10.4	545	8.7	459	8.6	335	7.3	–	–	–	–			
DSI 090A (1) (2)	1/8	6	1350	712	10.1	–	–	–	–	–	–	–	–	–	1209 35346	12x12	67 44105	
			1500	805	11.6	746	9.9	–	–	–	–	–	–	–				
			1650	897	13.0	843	11.2	729	11.1	578	8.5	–	–	–				–
DSI 100A	1/8	6	1160	973	12.1	882	10.0	651	9.0	–	–	–	–	–	1336 35348	14x14	83 44106	
	1/3	10	1750	1543	17.8	1484	17.6	1365	14.7	1236	15.6	1083	14.9	877	1285 35349			
DSI 120A	1/4	6	1160	1344	9.3	1268	8.1	1079	8.3	–	–	–	–	–	1716 35351	16x16	88 44107	
	3/4	10	1750	2087	17.9	2041	17.9	1942	16.5	1834	14.8	1709	15.6	1551	1771 35352			
DSI 135AN	1/4	10	1160	1332	11.4	254	9.6	1070	9.1	823	7.9	–	–	–	1804 35357	18x18	94 44108	
	3/4	10	1750	2071	17.8	2024	17.8	1922	16.9	1808	15.4	1685	15.9	1554	1959 35358			
DSI 135A	1/2	10	1160	1862	11.2	1780	10.7	1591	9.4	1306	8.9	–	–	–	1816 35354	18x18	94 44108	
DSI 150AN	1/4	6	860	1277	7.9	1150	6.3	810	5.9	–	–	–	–	–	2041 35365	20x20	114 44109	
	1/2	10	1160	1790	13.7	1707	12.1	1531	10.1	1288	11.0	940	9.5	–	1998 35363			
DSI 150A	1/4	6	860	1798	8.5	1668	7.1	1286	6.7	–	–	–	–	–	2205 35362	20x20	114 44109	
	1/2	10	1160	2497	13.5	2409	13.3	2213	11.3	1965	12.1	1514	10.0	–	2153 35360			
DSI 165AN	1/4	6	860	1953	7.6	1805	6.9	1472	7.3	–	–	–	–	–	2272 35370	23x23	136 44126	
	1/2	10	1160	2721	12.4	2615	12.0	2394	11.0	2155	12.0	1877	11.2	1457	2211 35368			
DSI 165A	1/2	10	860	2683	9.9	2499	8.9	2323	9.2	–	–	–	–	–	2500 35367	23x23	136 44126	
	1	15	1160	3744	16.5	3592	15.6	3452	14.7	3044	15.7	2640	13.7	2152	2442 35366			

(1) Fan comes with 3-speed motor wired to high speed setting. For 1500 or 1350 RPM selections change wiring in field to second or third taps, or use a solid state speed control.

(2) Speed control may only be applied to the 1500 and 1650 RPM taps. Approximate speed reduction is 35%.



All DSI models are UL/cUL 705 listed, for electrical, File No. E158680.



ADP certifies that the DSI models shown herein are licensed to bear the AMCA Seal. The ratings shown are based on tests and procedures performed in accordance with AMCA Publication 211 and AMCA Publication 311 and comply with the requirements of the AMCA Certified Ratings Program.

Related items

Fan Speed Controls – Page 25

Belt Driven Square Inline Fan



BSI Features:

- Belt drive for larger air volumes and higher statics
- AMCA licensed for Air & Sound, UL listed
- Compact galvanized housing with removable side panels
- Non-overloading, backwardly inclined, aluminum wheel
- Motor cover and wired safety disconnect included
- All single phase motors are dual voltage 115/208-230V (wired for 115V)
- All three phase motors are dual voltage 208-230/460V (wired for 460V)
- Thermal overload protected motors

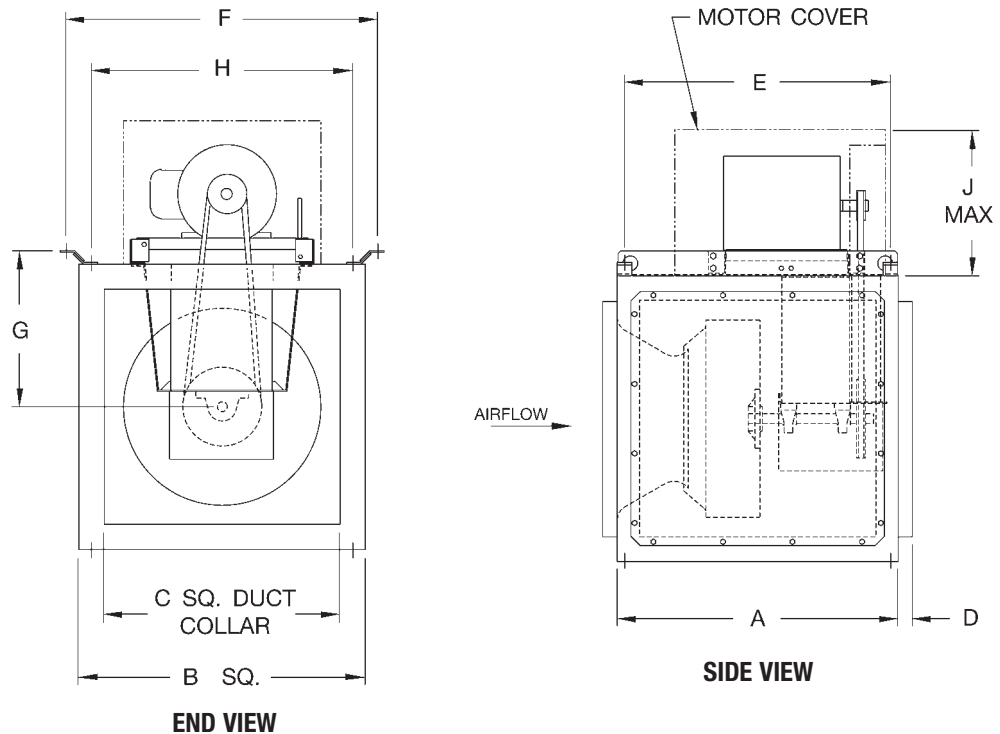


Model	A	B	C	D	E	F	G	H	J	Avg. Ship Wt. (lbs.)	Side Discharge Size
080A	19.00	15.33	11.88	1.00	16.50	19.50	8.63	13.56	12.00	93	11.88 x 11.88
090A	19.00	15.33	11.88	1.00	16.50	19.50	8.63	13.56	12.00	96	11.88 x 11.88
100A	20.50	17.81	13.88	1.00	19.00	21.06	10.38	16.00	12.00	106	13.88 x 13.88
120A	21.50	19.38	15.88	1.00	20.00	22.06	11.13	17.00	12.00	127	15.88 x 15.88
135A	23.00	21.56	17.88	1.00	21.50	24.25	12.19	19.16	12.75	132	17.88 x 17.88
150A	24.00	23.82	19.88	1.00	22.50	26.38	13.29	21.31	12.75	157	19.88 x 19.88
165A	26.00	26.50	22.88	1.00	24.50	29.06	14.64	24.00	14.56	167	22.88 x 22.88
180A	28.50	28.50	29.00	1.50	27.00	31.56	15.89	26.50	16.25	193	23.88 x 23.88
210A	32.00	32.00	32.34	1.50	30.50	35.06	17.54	30.00	16.25	223	27.88 x 27.88
225A	34.00	34.00	34.00	1.50	32.50	36.89	18.45	31.81	18.50	287	25.88 x 28.88

Notes:

1. All dimensions are in inches unless otherwise indicated
2. Average ship weight is for fan and motor assembly

Models: BSI 080A through BSI 225A



Belt Driven Square Inline Fan



cUL US
 UL Listed
 E158680
 MH-25478



Model	HP	RPM	Fan Capacity – Cubic Feet Per Minute (CFM)																Single Phase List Price SKU	Three Phase List Price SKU	Backdraft Damper		
			0.250" SP		0.500" SP		0.750" SP		1.000" SP		1.250" SP		1.500" SP		1.750" SP		2.000" SP				Size	Add SKU	
			Sones	BHP	Sones	BHP	Sones	BHP	Sones	BHP	Sones	BHP	Sones	BHP	Sones	BHP	Sones	BHP					
BSI 080A	1/4	1450	455	0.07	349	0.07												2144 35164	-	12x12	67 44105		
		1650	542	0.10	457	0.10	344																
		1850	627	0.14	552	0.14	470	352															
		2050	710	0.18	643	0.19	574	493	376														
		2250	792	0.24	730	0.25	669	604	525	416													
	1/3	2375	843	0.28	784	0.29	726	667	599	516	390									2169 35165	-	12x12	67 44105
		2500	893	0.33	837	0.34	783	727	667	597	509												
		2660	957	0.39	904	0.40	853	801	748	689	620	534											
	1/2	2860	1037	0.49	988	0.50	940	892	843	793	737	673								2296 35166	2372 35167	12x12	67 44105
			23.0	0.49	21.0	0.50	19.6	0.51	18.6	0.52	19.1	0.53	20.0	0.53	21.0	0.53	19.1						

Model	HP	RPM	Fan Capacity – Cubic Feet Per Minute (CFM)																Single Phase List Price SKU	Three Phase List Price SKU	Backdraft Damper		
			0.250" SP		0.500" SP		0.750" SP		1.000" SP		1.250" SP		1.500" SP		1.750" SP		2.000" SP				Size	Add SKU	
			Sones	BHP	Sones	BHP	Sones	BHP	Sones	BHP	Sones	BHP	Sones	BHP	Sones	BHP	Sones	BHP					
BSI 090A	1/4	1450	697	0.09	562	0.10												2144 35171	-	12x12	67 44105		
		1650	822	0.13	715	0.14	576																
		1850	944	0.18	854	0.19	748	608															
		2015	1042	0.23	962	0.25	872	764	616														
	1/3	2120	1104	0.27	1029	0.28	946	851	734	505										2169 35172	-	12x12	67 44105
		2230	1168	0.31	1099	0.33	1022	935	835	703													
		2390	1262	0.38	1197	0.40	1128	1052	967	868	736												
	1/2	2550	1354	0.47	1295	0.48	1231	1163	1088	1004	908	781								2384 35173	2372 35174	12x12	67 44105
			19.8	0.47	19.6	0.48	18.7	0.49	17.9	0.51	18.4	0.52	19.4	0.53	18.6	0.53	16.0						

White dots = Low demand items. Check availability before quoting.



All BSI models are UL/cUL 705 listed, for electrical, File No. E158680.



ADP certifies that the BSI models shown herein are licensed to bear the AMCA Seal. The ratings shown are based on tests and procedures performed in accordance with AMCA Publication 211 and AMCA Publication 311 and comply with the requirements of the AMCA Certified Ratings Program.

Belt Driven Square Inline Fan



Model	HP	RPM	Fan Capacity – Cubic Feet Per Minute (CFM)												Single Phase List Price SKU	Three Phase List Price SKU	Backdraft Damper									
			0.250" SP		0.500" SP		0.750" SP		1.000" SP		1.250" SP		1.500" SP				1.750" SP		2.000" SP		Size	Add SKU				
			Sones	BHP	Sones	BHP	Sones	BHP	Sones	BHP	Sones	BHP	Sones	BHP			Sones	BHP	Sones	BHP						
BSI 100A	1/4	1025	716															2144 35178	-	14x14	83 44106					
			6.2	0.07																						
		1275	981		806																					
			9.1	0.13	9.5	0.14																				
		1465	1169		1030		859																			
			12.1	0.20	10.8	0.21	12.1	0.22																		
	1565	1265		1140		992		790																		
		13.7	0.24	12.2	0.25	13.1	0.26	12.7	0.26																	
	1/3	1645	1341		1225		1090		924										2169 35179	-	14x14	83 44106				
			14.5	0.28	13.2	0.29	13.9	0.30	14.3	0.31																
		1725	1417		1308		1184		1038		833															
	16.0		0.32	14.5	0.33	14.4	0.35	15.6	0.35	14.4	0.34															
	1/2	1850	1534		1434		1324		1199		1049		818						2296 35180	2372 35181	14x14	83 44106				
			17.9	0.39	16.3	0.41	15.5	0.42	16.7	0.43	17.5	0.44	16.1	0.41												
		1980	1654		1563		1463		1353		1229		597		825											
19.2	0.47		18.3	0.49	17.2	0.51	17.3	0.53	18.8	0.53	18.1	0.53	16.8	0.50												
3/4	2120	1783		1699		1609		1510		1403		689		1133		894		2515 35182	2457 35183	14x14	83 44106					
		21.0	0.58	20.0	0.60	19.2	0.62	18.6	0.64	19.5	0.65	20.0	0.66	19.1	0.65	17.9	0.61									
	2255	1906		1829		1746		1656		1560		793		1336		1192										
22.0		0.69	22.0	0.71	21.0	0.74	19.9	0.76	19.9	0.77	21.0	0.79	21.0	0.79	19.9	0.78										

Model	HP	RPM	Fan Capacity – Cubic Feet Per Minute (CFM)												Single Phase List Price SKU	Three Phase List Price SKU	Backdraft Damper									
			0.250" SP		0.500" SP		0.750" SP		1.000" SP		1.250" SP		1.500" SP				1.750" SP		2.000" SP		Size	Add SKU				
			Sones	BHP	Sones	BHP	Sones	BHP	Sones	BHP	Sones	BHP	Sones	BHP			Sones	BHP	Sones	BHP						
BSI 120A	1/3	700	489															2208 35187	-	16x16	88 44107					
			3.0	0.04																						
		900	880																							
			6.0	0.09																						
		1100	1166		944																					
			7.9	0.16	8.5	0.16																				
		1290	1423		1271		1041																			
	10.9		0.25	10.1	0.26	10.3	0.26																			
	1355	1509		1367		1172																				
		11.9	0.28	10.7	0.30	11.6	0.30																			
	1420	1595		1461		1293		1040																		
		13.0	0.32	11.6	0.34	12.4	0.35	10.5	0.34																	
	1/2	1525	1732		1607		1471		1275										2390 35188	2472 35189	16x16	88 44107				
			14.9	0.40	13.1	0.42	13.4	0.43	13.6	0.43																
	1630	1867		1751		1631		1476		1267																
16.7		0.48	14.5	0.50	14.3	0.52	15.2	0.53	13.9	0.52																
3/4	1750	2020		1913		1804		1681		1514		1302						2612 35190	2557 35191	16x16	88 44107					
		18.6	0.59	16.8	0.62	15.6	0.64	16.4	0.65	16.6	0.65	14.6	0.64													
	1865	2166		2067		1965		1858		1726		1556		1337												
21.0		0.71	19.4	0.74	17.6	0.76	17.6	0.78	18.7	0.79	18.3	0.79	15.3	0.77												
1	1955	2280		2186		2089		1990		1877		1731		1557		1285		-	2834 35184	16x16	88 44107					
		22.0	0.82	22.0	0.85	19.4	0.87	18.9	0.90	19.5	0.91	20.0	0.91	19.3	0.90	16.3	0.86									
	2045	2393		2304		2211		2118		2017		1894		1741		1564										
24.0		0.93	23.0	0.97	22.0	0.99	20.0	1.02	21.0	1.04	22.0	1.05	22.0	1.04	19.4	1.03										

White dots = Low demand items. Check availability before quoting.

Belt Driven Square Inline Fan



Model	HP	RPM	Fan Capacity – Cubic Feet Per Minute (CFM)																Single Phase List Price SKU	Three Phase List Price SKU	Backdraft Damper	
			0.250" SP		0.500" SP		0.750" SP		1.000" SP		1.250" SP		1.500" SP		1.750" SP		2.000" SP				Size	Add SKU
			Sones	BHP	Sones	BHP	Sones	BHP	Sones	BHP	Sones	BHP	Sones	BHP	Sones	BHP	Sones	BHP				
BSI 135A	1/3	900	1268	894														2363 35203	-	18x18	94 44108	
			7.1	0.15	6.1	0.15																
		1075	1599	1380																		
			9.8	0.2	10.0	0.26																
		1130	1700	1503	1192																	
			10.8	0.28	10.3	0.30	9.6	0.29														
		1190	1810	1629	1367																	
			12.0	0.33	10.9	0.34	11.4	0.35														
		1/2	1280	1973	1807	1602	1292															
			13.4	0.40	12.0	0.42	13.0	0.43	10.8	0.42												
			1370	2133	1980	1811	1568															
			15.4	0.49	13.3	0.51	14.0	0.53	14.1	0.53												
	3/4	1465	2301	2158	2010	1818	1559															
		17.0	0.59	15.0	0.62	14.8	0.64	15.8	0.65	14.3	0.64											
		1565	2477	2344	2208	2054	1843	1572														
		19.0	0.72	17.2	0.75	16.2	0.77	17.2	0.79	17.3	0.79	14.8	0.77									
	1	1640	2608	2482	2353	2215	2038	1813														
		20.0	0.82	19.1	0.86	17.4	0.88	17.6	0.91	18.9	0.91	17.7	0.9									
		1720	2747	2627	2504	2378	2229	2034	1801													
		22.0	0.95	21.0	0.98	19.1	1.01	18.6	1.04	19.7	1.05	19.9	1.05	18.1	1.04							

Model	HP	RPM	Fan Capacity – Cubic Feet Per Minute (CFM)																Single Phase List Price SKU	Three Phase List Price SKU	Backdraft Damper	
			0.250" SP		0.500" SP		0.750" SP		1.000" SP		1.250" SP		1.500" SP		1.750" SP		2.000" SP				Size	Add SKU
			Sones	BHP	Sones	BHP	Sones	BHP	Sones	BHP	Sones	BHP	Sones	BHP	Sones	BHP	Sones	BHP				
BSI 150A	1/3	825	1552	1115														2575 35220	-	20x20	114 44109	
			7.3	0.18	6.6	0.18																
		920	1793	1481																		
			9.1	0.25	9.5	0.26																
		970	1917	1646																		
			9.9	0.29	10.1	0.30																
		1020	2040	1798	1410																	
			11.1	0.33	10.7	0.35	9.8	0.35														
		1/2	1095	2222	2006	1701																
			12.6	0.41	11.4	0.43	12.4	0.44														
			1170	2402	2203	1959	1593															
			14.2	0.49	12.5	0.52	13.4	0.53	11.7	0.52												
		3/4	1250	2592	2407	2204	1913															
			15.8	0.60	14.0	0.63	14.3	0.65	14.7	0.65												
			1335	2792	2620	2440	2209	1898														
			18.0	0.72	15.8	0.76	15.3	0.78	16.7	0.79	15.1	0.78										
	1	1400	2944	2780	2613	2416	2147	1771														
		18.8	0.83	17.5	0.87	16.1	0.90	17.3	0.91	17.3	0.91	14.4	0.88									
		1465	3096	2940	2781	2607	2377	2090														
		20.0	0.95	19.0	0.99	17.7	1.02	17.7	1.04	18.9	1.05	17.2	1.03									
	1-1/2	1570	3339	3195	3046	2894	2715	2483	2206													
		23.0	1.16	22.0	1.20	19.8	1.24	19.4	1.27	21.0	1.29	21.0	1.29	18.9	1.27							
		1680	3592	3458	3320	3181	3032	2851	2625	2365												
		25.0	1.41	25.0	1.46	22.0	1.50	21.0	1.54	21.0	1.57	23.0	1.58	23.0	1.57	21.0	1.56					

White dots = Low demand items. Check availability before quoting.

Belt Driven Square Inline Fan



Model	HP	RPM	Fan Capacity – Cubic Feet Per Minute (CFM)												Single Phase List Price	Three Phase List Price	Backdraft Damper					
			0.250" SP		0.500" SP		0.750" SP		1.000" SP		1.250" SP		1.500" SP				1.750" SP		2.000" SP		Size	Add SKU
			Sones	BHP	Sones	BHP	Sones	BHP	Sones	BHP	Sones	BHP	Sones	BHP			Sones	BHP	Sones	BHP		
BSI 165A	1/3	800	2167	1706														2715 35237	-	23x23	136 44126	
			9.0	0.26	8.4	0.26																
	1/3	875	2426	2079															-	-	23x23	136 44126
			10.8	0.33	9.4	0.35																
	1/2	940	2646	2353	1889														2849 35238	2925 35539	23x23	136 44126
			12.8	0.41	10.3	0.43	10.7	0.43														
		1005	2861	2605	2218														-	-	23x23	136 44126
	14.4	0.49	11.8	0.52	12.2	0.53																
	3/4	1075	3090	2864	2561	2127																
			16.1	0.60	13.9	0.63	13.1	0.65	13.0	0.64												
	1	1150	3333	3130	2877	2508	2066												-	-	23x23	136 44126
			18.1	0.72	15.9	0.77	14.3	0.79	15.0	0.79	13.8	0.76										
		1205	3510	3321	3093	2787	2395												-	-	23x23	136 44126
	19.5	0.83	17.8	0.88	15.7	0.90	15.8	0.91	15.3	0.90												
	1260	3686	3508	3300	3040	2672	2265															
	1-1/2	1350	3972	3810	3627	3410	3129	2775	2352										-	-	23x23	136 44126
			23.0	1.15	22.0	1.21	19.6	1.25	18.3	1.28	19.1	1.28	18.6	1.27	16.9	1.22						
		1445	4272	4124	3961	3774	3553	3259	2931	2531									-	-	23x23	136 44126
	25.0	1.40	24.0	1.46	23.0	1.52	21.0	1.55	20.0	1.57	21.0	1.57	20.0	1.55	18.0	1.50						
	1520	4508	4369	4218	4049	3854	3621	3310	3007									-				
	27.0	1.62	27.0	1.69	25.0	1.75	23.0	1.79	22.0	1.82	22.0	1.83	23.0	1.82	21.0	1.81						
1590	4727	4596	4455	4299	4123	3921	3667	3360									-		-	23x23	136 44126	
28.0	1.85	28.0	1.92	27.0	1.98	25.0	2.04	24.0	2.07	23.0	2.09	24.0	2.10	24.0	2.08							

Model	HP	RPM	Fan Capacity – Cubic Feet Per Minute (CFM)												Single Phase List Price	Three Phase List Price	Backdraft Damper									
			0.250" SP		0.500" SP		0.750" SP		1.000" SP		1.250" SP		1.500" SP				1.750" SP		2.000" SP		Size	Add SKU				
			Sones	BHP	Sones	BHP	Sones	BHP	Sones	BHP	Sones	BHP	Sones	BHP			Sones	BHP	Sones	BHP						
BSI 180A	1/2	675	2342	1671														3055 35255	3128 35256	23x23	136 44126					
			7.5	0.25	7.3	0.25																				
		750	2695	2184																			-	-	23x23	136 44126
			9.5	0.34	9.0	0.35																				
	810	2966	2564	1892														-	-	23x23	136 44126					
		11.4	0.42	9.6	0.44	9.90	0.42																			
	865	3209	2864	2317														-	-	23x23	136 44126					
		13.3	0.50	10.9	0.53	11.2	0.53																			
	3/4	925	3470	3168	2718													3280 35257	3216 35258	23x23	136 44126					
			15.2	0.61	12.4	0.64	12.5	0.65																		
	985	3728	3458	3100	2583													-	-	23x23	136 44126					
		17.1	0.73	14.6	0.77	13.4	0.79	13.9	0.78																	
	1	1035	3942	3693	3378	2914												-	-	23x23	136 44126					
			18.4	0.84	15.9	0.89	14.2	0.91	15.0	0.91																
	1085	4153	3922	3640	3252	2775												-	-	23x23	136 44126					
		19.6	0.96	17.7	1.01	15.8	1.05	16.0	1.05	15.4	1.04															
	1-1/2	1160	4469	4259	4013	3709	3277	2819										-	-	23x23	136 44126					
			22.0	1.16	20.0	1.22	18.1	1.27	17.2	1.29	18.1	1.28	16.6	1.25												
	1240	4803	4611	4394	4137	3809	3387	2919										-	-	23x23	136 44126					
		23.0	1.41	23.0	1.48	21.0	1.53	19.2	1.56	19.6	1.57	19.5	1.56	18.1	1.51											
	2	1300	5053	4873	4672	4440	4164	3789	3396									-	-	23x23	136 44126					
25.0			1.61	25.0	1.69	23.0	1.75	21.0	1.79	21.0	1.81	21.0	1.80	20.0	1.79											
1365	5322	5153	4967	4757	4514	4215	3827	3457									-	-	23x23	136 44126						
	27.0	1.86	27.0	1.94	25.0	2.01	23.0	2.06	22.0	2.09	23.0	2.10	23.0	2.08	21.0	2.06										

White dots = Low demand items. Check availability before quoting.

Belt Driven Square Inline Fan



Model	HP	RPM	Fan Capacity – Cubic Feet Per Minute (CFM)																Single Phase List Price SKU	Three Phase List Price SKU	Backdraft Damper	
			0.250" SP		0.500" SP		0.750" SP		1.000" SP		1.250" SP		1.500" SP		1.750" SP		2.000" SP				Size	Add SKU
			Sones	BHP	Sones	BHP	Sones	BHP	Sones	BHP	Sones	BHP	Sones	BHP	Sones	BHP	Sones	BHP				
BSI 210A	1/2	675	3340	2711														3298 35272	3317 35273	28x28	181 44112	
		720	3621	3109																		
	3/4	770	3926	3490	2798													3520 35274	3465 35275	28x28	181 44112	
		825	4256	3877	3304																	
	1	865	4494	4146	3667	2998												-	3745 35267	28x28	181 44112	
		905	4730	4408	3992	3376																
	1-1/2	970	5110	4821	4468	3977	3382											-	3891 35268	28x28	181 44112	
		1040	5516	5254	4949	4570	4031	3454														
	2	1090	5804	5559	5279	4944	4497	3967										-	4091 35269	28x28	181 44112	
		1140	6091	5860	5607	5299	4929	4423	3922													
	3	1225	6576	6366	6135	5875	5573	5200	4719	4258								-	4206 35270	28x28	181 44112	
		1305	7031	6836	6626	6395	6135	5835	5458	5003												
				30.0	2.75	30.0	2.86	29.0	2.95	27.0	3.03	26.0	3.09	25.0	3.12	26.0	3.12	26.0	3.10			

Model	HP	RPM	Fan Capacity – Cubic Feet Per Minute (CFM)																Single Phase List Price SKU	Three Phase List Price SKU	Backdraft Damper	
			0.250" SP		0.500" SP		0.750" SP		1.000" SP		1.250" SP		1.500" SP		1.750" SP		2.000" SP				Size	Add SKU
			Sones	BHP	Sones	BHP	Sones	BHP	Sones	BHP	Sones	BHP	Sones	BHP	Sones	BHP	Sones	BHP				
BSI 225A	1/2	450	2784															3799 35290	3882 35291	30x30	198 44113	
		520	3578																			
		560	3994	2870																		
		600	4395	3467																		
	3/4	640	4783	3982														4021 35292	3982 35293	30x30	198 44113	
		685	5211	4509	3500																	
	1	720	5538	4896	4041													-	4291 35284	30x30	198 44113	
		750	1867	5215	4448																	
	1-1/2	810	5816	5831	5190	4353												-	4452 35285	30x30	198 44113	
		865	6364	6376	5813	5123	4138															
	2	910	6861	6812	6297	5691	4933											-	4668 35286	30x30	198 44113	
		950	7263	7193	6714	6163	5500	4586														
	3	1025	7619	7895	7471	6996	6454	5810	4930									-	4796 35287	30x30	198 44113	
		1085	8809	8448	8058	7629	7152	6604	5960	5019												
				21.0	2.77	21.0	2.89	19.4	3.00	18.8	3.07	20.0	3.13	21.0	3.15	20.0	3.11	18.3	2.96			

White dots = Low demand items. Check availability before quoting.



ADP/Broan Series ventilators are designed for commercial applications requiring quiet, continuous, reliable operation. Exhausters are constructed with a low profile grille and are easy to duct horizontally, vertically, or inline, with many models offering round duct connectors as standard.

Capacities:

- Bath Fans – 47 and 87 CFM
- Commercial Exhausters – 100-3500 CFM

Features:

Grille

- Conceals interior
- Low profile styling blends with any decor

Blower

- Low RPM for quiet operation
- Resilient anti-vibration mounts
- Designed for continuous operation
- Dynamically-balanced, polymeric centrifugal blower wheel for quiet, efficient performance (A/L2000L and A/L3500EXL furnished with metal wheel)
- Permanently lubricated, thermally protected motor



Model A050/670



Model A080/684

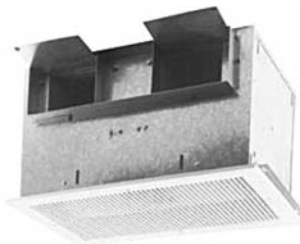
Commercial Ventilators

General Features:

- Low RPM motors mounted on resilient mounts for quiet, vibration-free operation
- Permanently lubricated motors designed for continuous operation
- Acoustic insulation inside rugged, heavy gauge galvanized steel housing
- Balanced blower wheels for extremely low sound levels
- Attractive, low profile grilles
- May be ducted horizontally, vertically or as an inline blower
- Quiet built-in backdraft dampers, except for models A/L2000L and A/L3500EXL
- Plug-in motor rated at 120V AC, 60 Hz, single phase, ODP. A/L3500EXL motor is rated at 240V.



Models A/L100-A/L300
Shown with standard plastic grille.



Models A/L400-A/L700
Standard unit comes with metal grille.



Models A/L900 & A/L1500
Standard unit comes with metal grille.



Models A/L2000L & A/L3500EXL
Optional metal grille and optional dampers shown.



FAN PERFORMANCE – Ceiling Mounted

ADP MODEL NO.	BROAN MODEL NO.	AMPS @ 60HZ	WATTS	RPM	CFM/SONES									List Price	SKU
					STATIC PRESSURE (IN. W.G.)										
					1/10"	1/8"	1/4"	3/8"	1/2"	5/8"	3/4"	7/8"	1"		
A050	670	–	48	1870	49 4.3	47 4.4	42 4.6	29 5.5	–	–	–	–	–	98	36501
A080	684	–	48	1550	81 3.8	80 3.8	68 3.8	36 3.9	–	–	–	–	–	176	36504
A100	L100	1.1	87	640	115 0.8	109 0.9	93 1.3	80 1.8	65 2.3	44 3.0	12 3.2	–	–	339*	36509
A150	L150	1.3	100	710	161 1.4	157 1.5	141 2.2	132 2.6	124 3.1	114 3.6	94 4.1	62 4.6	–	369*	36510
A200	L200	1.8	127	740	214 1.8	210 1.7	196 2.3	186 2.9	177 3.5	165 4.1	144 4.9	113 5.3	51 5.3	420*	36511
A250	L250	2.1	166	830	261 2.3	259 2.2	250 2.9	242 3.3	233 3.9	218 4.4	201 4.8	165 5.5	99 5.8	429*	36512
A300	L300	2.6	212	905	309 2.9	308 2.9	303 3.3	296 3.5	287 3.9	273 4.3	254 4.7	219 5.1	125 5.6	429*	36513
A400	L400	1.4	146	735	442 2.4	434 2.3	388 2.8	344 3.3	299 3.8	229 4.5	182 4.8	114 5.4	33 5.6	705	36514
A500	L500	2.2	232	810	520 3.1	514 3.3	491 3.6	463 4.0	434 4.4	389 5.0	339 5.7	282 6.2	186 6.7	825	36515
A700	L700	2.9	313	960	704 4.6	701 4.7	667 4.8	640 5.0	607 5.2	571 5.6	534 6.2	453 7.1	333 7.2	876	36516
A900	L900	3.0	306	650	905 4.0	901 4.1	877 4.0	842 4.2	793 4.3	725 4.4	636 4.9	536 4.5	390 5.3	1103	36517
A1500	L1500	5.9	468	955	1526 8.4	1513 8.4	1438 8.1	1371 7.5	1285 7.0	1198 6.7	1103 6.2	1000 5.8	816 5.8	1428	36518

*Price includes standard plastic grille. For optional metal grilles see page 23.

INLINE PERFORMANCE – Straight through

ADP MODEL NO.	BROAN MODEL NO.	AMPS @ 60HZ	WATTS	RPM	CFM/SONES									List Price	SKU
					STATIC PRESSURE (IN. W.G.)										
					1/10"	1/8"	1/4"	3/8"	1/2"	5/8"	3/4"	7/8"	1"		
A100	L100	1.1	87	760	108 0.7	106 0.7	97 1.1	93 1.4	86 1.8	70 2.1	44 2.4	17 2.6	–	68*	36522
A150	L150	1.3	100	920	148 1.0	147 1.1	140 1.4	134 1.6	125 1.9	111 2.1	91 2.2	54 2.4	18 2.6	68*	36522
A200	L200	1.8	127	865	196 1.9	195 1.9	190 2.1	185 2.3	175 2.4	158 3.0	135 3.3	96 3.4	47 3.4	68*	36523
A250	L250	2.1	166	1005	245 2.3	245 2.3	241 2.5	235 2.8	224 3.2	208 3.4	183 3.6	141 3.9	84 3.8	68*	36523
A300	L300	2.6	212	1145	294 3.0	293 3.1	285 3.3	274 3.4	259 3.5	243 3.6	214 3.7	168 4.0	113 3.9	68*	36523
A400	L400	1.4	146	775	415 1.6	406 1.6	360 1.9	313 2.2	271 2.6	223 2.9	167 3.4	90 3.6	6.0 3.0	87*	36524
A500	L500	2.2	232	890	526 2.4	519 3.4	496 3.7	472 3.9	447 3.8	407 3.9	364 4.0	306 4.3	232 4.3	87*	36524
A700	L700	2.9	313	1090	686 3.8	681 3.7	656 3.9	631 4.0	604 4.2	575 4.3	533 4.4	480 4.7	412 5.0	87*	36524
A900	L900	3.0	306	810	902 3.8	894 3.8	853 3.8	807 3.7	754 3.8	685 3.9	587 4.0	442 4.0	300 4.1	93*	36525
A1500	L1500	5.0	468	1055	1228 6.8	1214 6.7	1152 6.5	1092 6.3	1029 6.0	958 6.0	871 6.0	764 6.0	631 6.1	93*	36525
A2000	L2000	5.8	590	965	1803 9.8	1791 9.4	1657 9.0	1508 8.6	1347 9.1	1165 8.9	808 7.0	284 6.7	–	1714**	36536
A3500-EXL	L3500-EXL	5.4	1204	1105	3498 14.8	3452 14.5	3278 14.1	3073 13.1	2893 12.8	2679 12.1	2429 11.8	2093 11.9	1693 10.8	2730**	36537

* Price is for IAK (Inline Adapter Kit) only. Price must be added to fan price above.

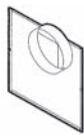
** Sizes 2000 and 3500 stocked in inline configuration. Price indicated is for entire fan. If grille required see page 23.



All models except T050

ADP MODEL NO.	BROAN MODEL NO.	ACCESSORIES																			
		Inline Adapter Kits			Metal Grilles			Roof Caps – Flat Base			Roof Caps – Curb Mounted			Speed Controllers							
		Model	List Price	SKU	Model	List Price	SKU	Model	List Price	SKU	Model	List Price	SKU	Model	List Price	SKU					
A050	670	N/A	N/A	N/A	N/A	N/A	N/A														
A080	684	N/A	N/A	N/A	N/A	N/A	N/A														
A100	L100	IAK L-150	68	36522	MG1	81	36521	RCF 06	76	31410	RCC 06	76	33122	SSC 06 AMP	45	31439					
A150	L150																				
A200	L200	IAK L-300	68	36523	Standard	-	-	RCF 08	282	31411	RSVT 08	402	33123								
A250	L250																				
A300	L300																				
A400	L400	IAK L-700	87	36524	Standard	-	-	RCF 12	398	31413	RSVT 10	449	33124								
A500	L500																				
A700	L700																				
A900	L900	IAK L1500	93	36525	Standard	-	-	RCF 16	490	31414	RSVT 12	615	33125								
A1500	L1500																		RSVT 16	798	33127
A2000	L2000	Standard	-	-	MG2000	161	36519	N/A	-	-	RSVT 18	816	33128								
A3500EXL	L3500EXL	Standard	-	-	MG3500	179	36520	N/A	-	-	RSVT 24	1070	33130	SSC 06 AMP 230V	139	31440					

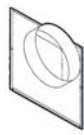
Inline Adapters



Model IAK L-150

- Galvanized steel
- 6" round duct intake
- Mounting hardware included

Pricing above



Model IAK L-300

- Galvanized steel
- 8" round duct intake
- Mounting hardware included

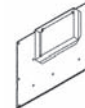
Pricing above



Model IAK L-700

- Galvanized steel
- 4.5" x 18.5" duct intake
- Mounting hardware included

Pricing above

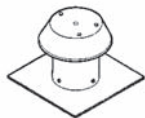


Model IAK L1500

- Galvanized steel
- 8" x 12" duct intake
- Mounting hardware included

Pricing above

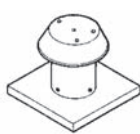
Roof Caps



Model RCF

- For flat roof installation
- Aluminum natural finish
- Bird screen

Pricing above

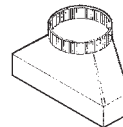


Model RCC

Pricing above

- For curb mount installation
- Other features same as model RCF

Transitions



Models 423 and 81212

- Galvanized steel
- Model 423 – 4.5" x 18.5" to 10" rd.
- Model 81212 – 8" x 12" to 12" rd.

Model	List Price	SKU
423	119	36539
81212	143	36540

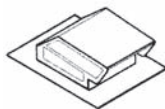
Note: For RCF and RCC dimensions see page 33, for RSVT dimensions see page 34.

Roof Jacks & Wall Caps

Model 634 Jack

- For 3-1/4" x 10" or up to 8" round duct
- Built-in backdraft damper and bird screen
- Steel housing, black epoxy finish

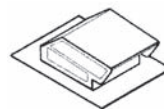
List Price	SKU
94	31406



Model 636 Jack

- Same as model 634 except for 3" or 4" round duct

List Price	SKU
63	36538



Louvered Wall Caps

Model 645

- For 3" Round Duct
- White polymeric

Model	List Price	SKU
645	37	36541
646	102	36544

Model 646

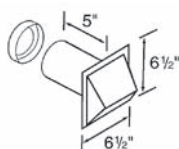
- For 6" Round Duct
- White polymeric



Model 885AL Wall Cap

- For 3" or 4" round duct
- 4" to 3" transition included
- Built-in backdraft damper and bird screen
- Aluminum natural finish

List Price	SKU
84	36542



Model 641 Wall Cap

- For 6" round duct
- Built-in backdraft damper and bird screen
- Aluminum natural finish

List Price	SKU
151	36543



Model 643 Wall Cap

- For 8" round duct
- Built-in backdraft damper and bird screen
- Aluminum natural finish

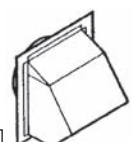
List Price	SKU
190	36545



Model 613

- For 12" round duct
- Built-in backdraft damper and bird screen
- Aluminum natural finish

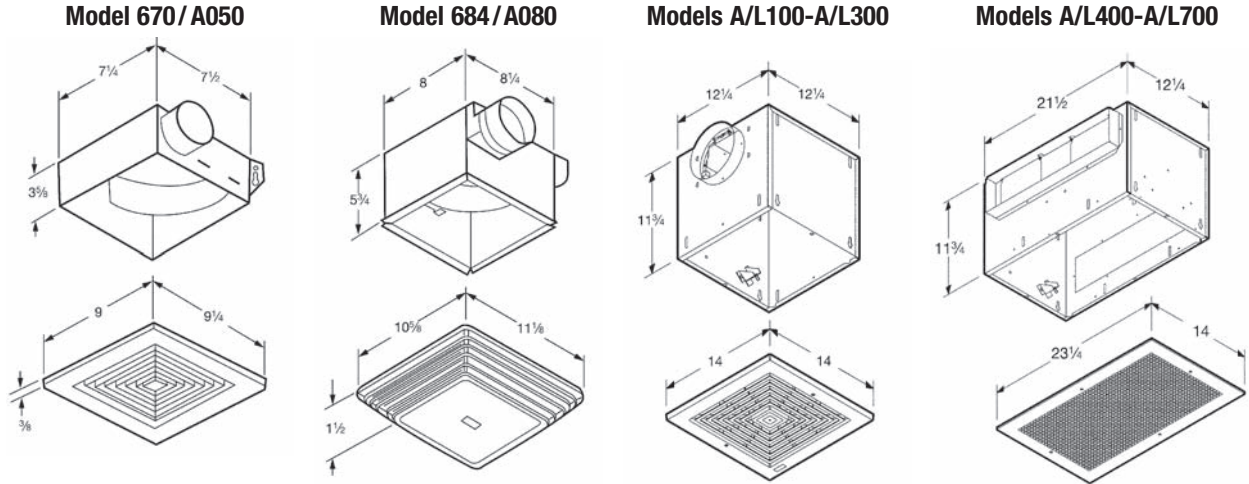
List Price	SKU
206	36546



Dimensions & Options



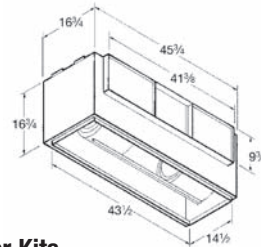
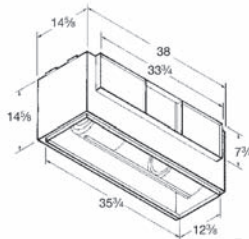
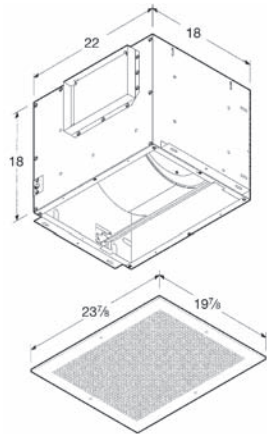
All models except T050



Models A/L900 & A/L1500

Model A/L2000L

Model A/L3500EXL



Damper Kits

Model	Fits	Price	SKU
D100	A/L2000	52	36547
D101	A/L3500	57	36548

Bath Fans



Ceiling/Wall Fans

Features:

- White polymeric grille
- Rugged galvanized steel housing
- Plug-in permanently lubricated motor
- Tapered polymeric duct fitting
- Built-in backdraft damper



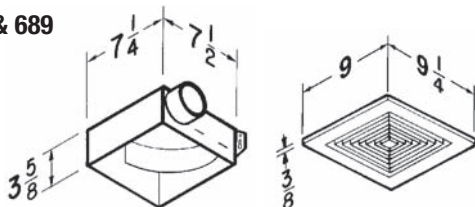
Model 688 & 689



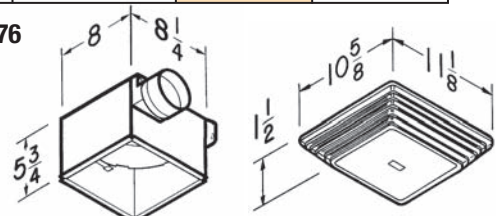
Model 676

Model	Volts	Amps	Scones	CFM	Duct	Price	SKU
688	120	.09	4.0	50	3" Round	52	36505
689	120	1.5	5.5	60	3" Round	81	36506
676	120	1.3	4.0	110	4" Round	193	36503

Model 688 & 689



Model 676



Fan Speed Controllers



Fan Speed Control & Time Delay Switch



Model SSC Fan Speed Control



Model TDS12 Time Delay Switch

Model/Description	120V List Price SKU
*SSC 06 AMP – Use for 120V fans rated up to 690 watts or 1/4 hp and less. Positive Off position.	45 31439
*SSC 06 AMP 230V – Use for 230V fans rated up to 1380 watts or 1/2 hp and less. Positive Off position.	139 31440
*SSC 10 AMP – Use for 120V fans rated up to 1150 watts or from 1/3 to 1/2 hp. Positive Off position.	89 31294
*SSC 15 AMP – Use for 120V fans rated up to 1725 watts or from 1/2 to 1 hp. Positive Off position.	99 31441
TDS12 – Time delay switch. One switch controls fan and light with turnoff time. 1-60 min., frequency 50-60 Hz, fits single switch outlet box.	70 31383

White dots = Low demand items. Check availability before quoting.

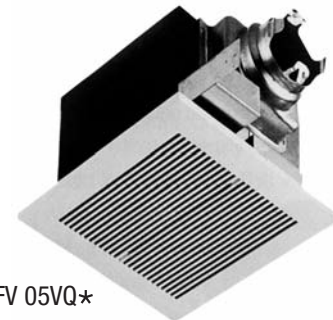
*Not for use with belt driven fans.

Whisper Ceiling



Features:

- Super quiet operation
- Ceiling mounted fan
- ENERGY STAR® qualified
- Rustproof paint treatment on galvanized housing
- Built-in damper to prevent backdraft
- UL listed for tub/shower enclosed when used with a GFCI branch circuit wire
- Manufactured in ISO 9001 certified facility
- Thermal fuse protection

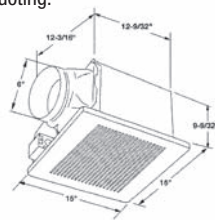


FV 05VQ*

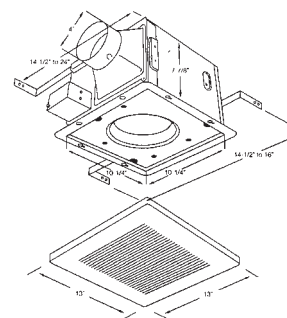
Model	CFM @ 0.1"	Watts	Sones	Duct Size	List Price	SKU
FV 05VQ*	50	12.9	0.3	4"	458	13284
FV 08VQ*	80	22.8	0.3	4"	489	32130
FV 11VQ*	110	30.7	0.8	4"	547	32128
FV 15VQ*	150	31.4	0.6	4"	671	32129
FV 20VQ*	190	42.4	1.3	6"	727	32123
FV 30VQ*	290	63.6	2.0	6"	762	13287
FV 40VQ*	380	112.2	3.0	6"	1120	32127

White dots = Low demand items. Check availability before quoting.

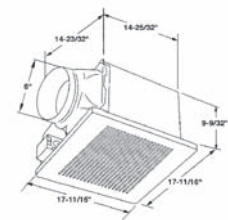
* Current model available.



FV-20VQ*/FV-30VQ*



FV-05VQ*/FV-08VQ*/FV-11VQ*



FV-40VQ*

Related items

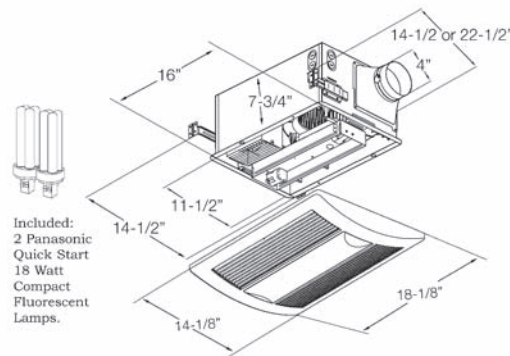
Time Delay Switch – Above

Features:

- Built-in damper to prevent backdraft
- Stainless steel sheathed heating element
- UL listed for insulated ceilings
- Light/Night light combo
- Easy installation
- Rustproof paint treatment on galvanized housing
- Thermal fuse protection
- Not for use above a tub /shower enclosure

Model	CFM @ 0.1"	Watts	Sones	Duct Size	List Price	SKU
FV 11VHL*	110	30.6	.7	4"	1174	32115

* Current model available.



FV 11VHL*

Whisper Lite

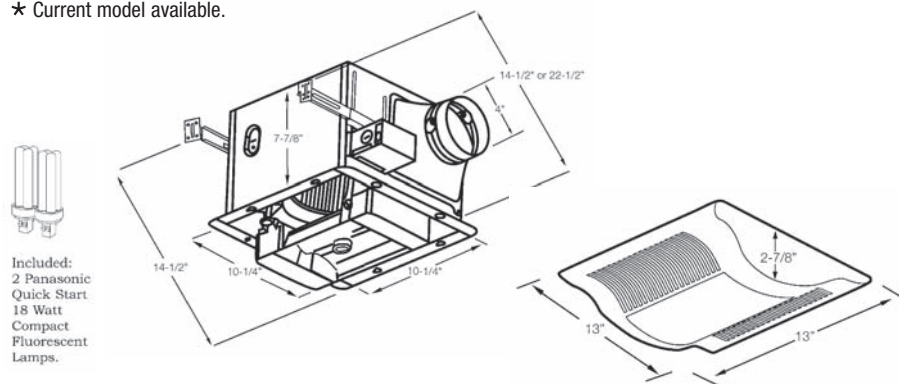
Features:

- New, convenient night-light feature, lamp 4 watts
- Lamp watts 2x13, average life 10,000 hrs.
- ENERGY STAR® qualified
- Rated for continuous run
- Easy installation (double hanger bar system)
- Rustproof paint treatment on galvanized housing
- Built-in damper to prevent backdraft
- UL listed for tub/shower enclosure when used with a GFCI branch circuit wire
- Thermal fuse protection

Model	CFM	Watts	Sones	Duct Size	List Price	SKU
FV 08VQL*	80	25.2	0.3	4"	727 •	32131
FV 11VQL*	110	35.9	1.0	4"	802 •	13285

• White dots = Low demand items. Check availability before quoting.

* Current model available.



FV 08VQL*/FV 11VQL*

Features:

- Hood with backdraft damper included
- Super quiet operation
- ENERGY STAR® qualified
- Easy installation
- Rustproof paint treatment on galvanized housing
- Built-in damper to prevent backdraft
- Sleeve Extension – up to 10 inches
- Bird screen
- UL listed for tub/shower
- Enclosed when used with a GFCI branch circuit wire
- Thermal fuse protection

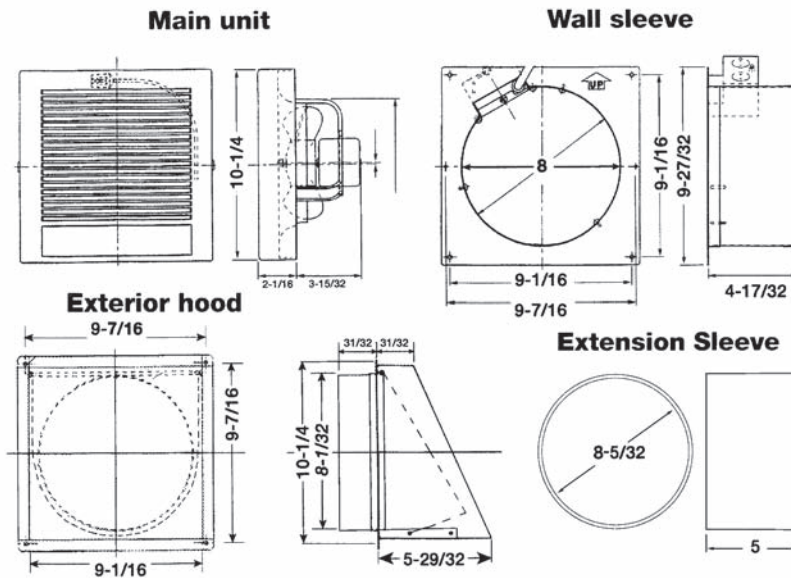


FV 08WQ★

Model	CFM	Watts	Sones	Duct Size	List Price	SKU
FV 08WQ★	70	18	1.1	8"	795	32113

White dots = Low demand items. Check availability before quoting.

★ Current model available.



Related items

Fan Speed Controls – Page 25
Vibration Hangers – Page 35

Features:

- Insulated housing to prevent condensation and noise
- Super quiet/energy efficient motor (ENERGY STAR® qualified)
- Easy installation – includes brackets for joist or truss attachment
- In-line installation
- Tapered duct adapter for easy connection
- Adjustable airflow for multi-inlet balance

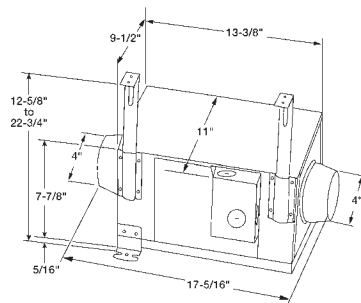


FV 10NLF*

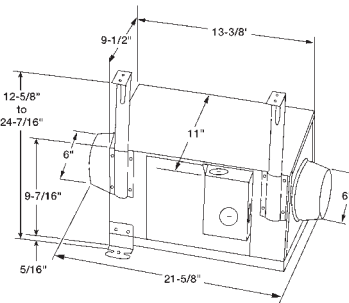
Performance Data								CFM vs Static Pressure								List Price	SKU
Model	Duct	RPM	Volts	Max Watts	Max Amps	Max S.P.	Sones	0.0"	0.2"	0.4"	0.6"	0.8"	1.0"	1.2"			
FV 10NLF*	4"	1569	120	37	0.31	0.75	1	138	120	82	35	–	–	–	587 •	32114	
FV 20NLF*	6"	1154	120	57	0.46	0.84	1.4	258	240	200	143	8	–	–	629 •	32122	
FV 30NLF*	6"	1247	120	98.2	0.086	1.13	1.7	392	340	302	258	106	53	–	767 •	32124	
FV 40NLF*	8"	1110	120	132	1.1	1.29	2.1	472	440	408	370	315	207	55	839 •	32126	

• White dots = Low demand items. Check availability before quoting.

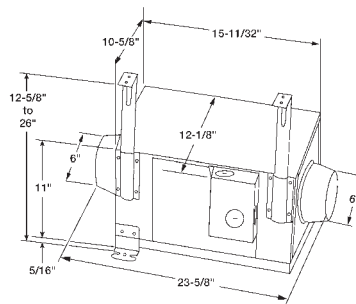
* Current model available.



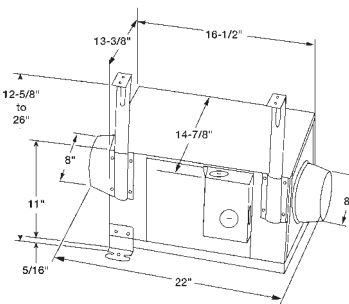
FV 10NLF1



FV 20NLF1



FV 30NLF1



FV 40NLF1

Related items

Fan Speed Controls – Page 25
Vibration Hangers – Page 35



CA Series Features:

- Epoxy powder coated metal casing
- Suitable for commercial applications
- AMCA Certified Performance, UL Approved
- Pre-wired and supplied with mounting brackets for easy installation

CA Series
Steel

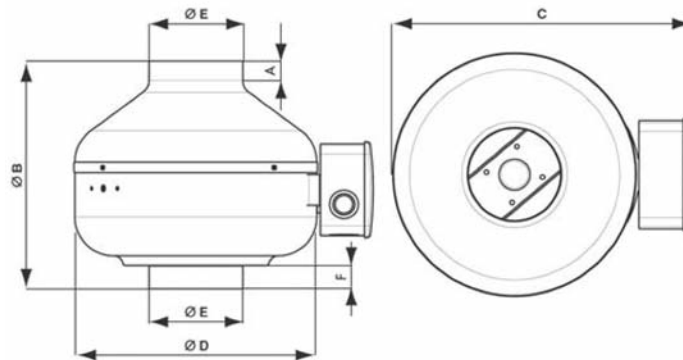


Dimensions

Model	A	B	C	D	E	F
CA 6	0.98"	10.43"	14.56"	11.81"	5.79"	0.98"
CA 8	0.98"	10.63"	16.14"	13.39"	7.76"	0.98"
CA 10	0.98"	11.02"	16.14"	13.39"	9.72"	1.73"
CA 12	1.57"	12.80"	18.50"	15.75"	12.28"	2.80"

Performance Data								CFM vs Static Pressure									List Price	SKU	Round BDD Add	SKU
Model	Duct	Volts	Hz	Watts @ "0"	Amps @ "0"	Max S.P.	RPM	.125"	.250"	.375"	.500"	.750"	1.000"	1.500"	2.000"	2.500"				
CA 6	6"	120	60	75	0.68	1.420	2400	262	240	215	195	154	110	13	-	-	388 •	36002	60	41181
CA 8	8"	120	60	155	1.38	3.158	2970	630	595	565	532	467	395	280	200	110	545 •	36003	93	41183
CA 10	10"	120	60	195	1.65	3.000	2700	717	670	605	550	450	375	275	185	100	654 •	36004	112	41185
6 to 5 Adapter																18 •	61155	-	-	

• White dots = Low demand items. Check availability before quoting.





R Series Features:

- Durable plastic housing
- Suitable for Residential and Light Commercial applications
- HVI Certified Performance, CSA Approved
- Pre-wired and supplied with mounting brackets for easy installation

R Series
Plastic

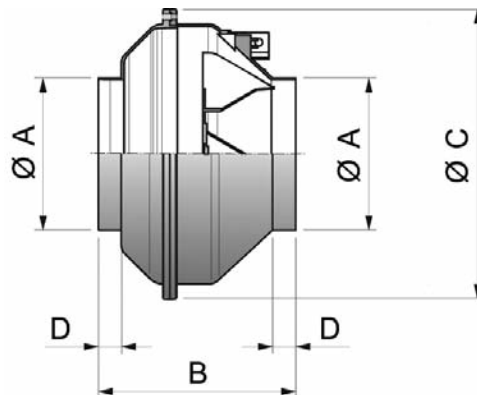


Dimensions

Model	A	B	C	D
R-100	4"	9.7"	11.3"	1.2"
R-110	4"	9.7"	11.3"	1.2"
R-150	6"	9.0"	14.9"	1.2"
R-200	8"	9.0"	14.9"	1.2"
R-225	8"	9.0"	14.9"	1.2"
R-250	10"	9.0"	14.9"	1.2"
R-315	12"	10.8"	17.8"	1.2"

Performance Data						CFM vs Static Pressure							List Price	SKU	Round BDD Add	SKU
Model	Duct	Volts	Hz	Amps @ "0"	Max S.P.	0.0"	0.2"	0.4"	0.6"	0.8"	1.0"	1.5"				
R-100	4"	115	60	0.23	0.975"	141	120	100	78	46	–	–	380 •	36009	54	41179
R-110	4"	115	60	0.74	2.213"	173	162	10	139	125	115	77	396 •	36010	54	41179
R-150	6"	115	60	0.78	1.686"	368	332	286	248	190	163	55	429 •	36011	60	41181
R-200	8"	115	60	1.00	2.213"	448	404	350	317	260	225	110	545 •	36012	93	41183
R-225	8"	115	60	2.09	2.762"	669	624	560	540	450	440	330	644 •	36013	93	41183
R-250	10"	115	60	2.00	2.736"	719	669	610	559	520	460	332	677 •	36016	112	41185
R-315	12"	115	60	2.24	3.135"	865	812	740	700	620	570	388	996 •	36017	165	41186

• White dots = Low demand items. Check availability before quoting.

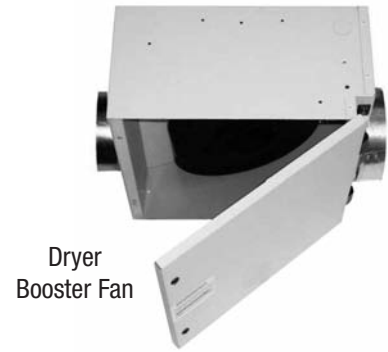


Related items

Fan Speed Controls – Page 25

Compax DQ Features:

- Low profile – ideal where space is limited
- High Efficiency – Airfoil wheel, class F motor
- Serviceable – swing out and pop-off bottom access door
- Rugged – galvanized steel construction with white appliance finish
- Safety – integral lighted safety disconnect switch with external built-in attitude signal light

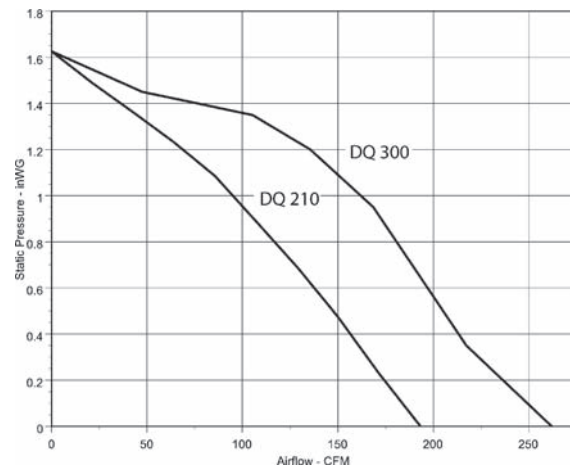
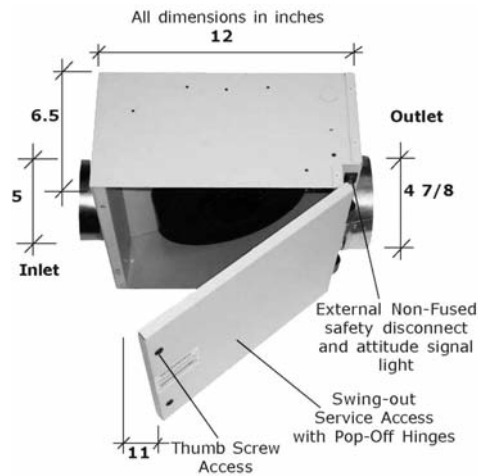


Dryer
Booster Fan

FanAm's COMPAX series inline fans are designed for dryer exhaust and can be used for other general ventilation needs. COMPAX fans are UL Listed to US and Canadian safety standards and includes a standard 3-year warranty.

Model	Volts	Watts	Amps	Weight	CFM @ .2" w.g.	List Price	SKU
DQ 210	115	71	0.62	10 lbs.	170	600 •	36006
DQ 300	115	115	1.12	11 lbs.	260	787 •	36007

• White dots = Low demand items. Check availability before quoting.



Features:

2100 Lint Trap

- UL approved, flame resistant polymer materials
- Extends COMPAX warranty to 5 years
- 7/8" drywall frame for recessed applications
- Removable lint screen and slip on duct collars
- Clear door for easy lint build-up viewing

Wall Box

- Integral backdraft damper
- Sloped/Angled design with built-in drain

DAS 420 Current Sensor

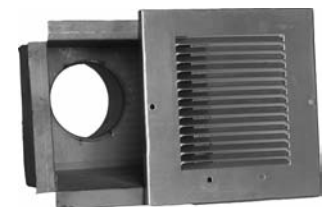
- Sensor anticipates dryer startup and activates dryer booster fan
- Purge cycle runs fan for 7 minutes after dryer shutdown
- Eliminates moisture buildup in ductwork & suite



DAS 420



2100 Lint Trap



Wall Box & Wall Grille
(shown without integral backdraft damper)

Accessory for COMPAX Fan	Description	List Price	SKU
2100 Lint Trap	User serviceable auxiliary lint trap	110 •	36008
Wall Box	Outside wall recess mounting for exhaust outlet	110 •	36014
Wall Grille	Wall box cover, stocked for single box	39 •	36015
DAS 420	Dryer Amp sensor	87 •	34140

• White dots = Low demand items. Check availability before quoting.

Roof Caps Features:

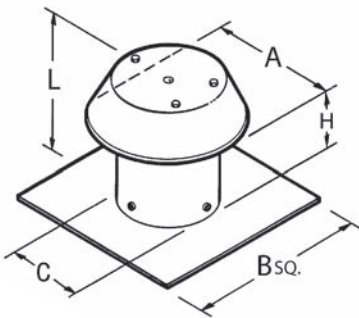
- Weathertight aluminum construction
- Built-in birdscreen

Size	CFM @ .20" PD	A	B	C	L	H	RCC List Price SKU	RCC List Price SKU
06	200	12"	16 ⁷ / ₈ "	7"	11 ¹ / ₂ "	8"	76 31410	76 33122
08	600	18 ¹ / ₂ "	21 ¹ / ₄ "	9"	13 ¹ / ₂ "	8"	282 31411	—
12	1300	25"	24"	13"	17"	10"	398 31413	—
16	2500	30"	28"	17"	22"	12"	490 31414	—

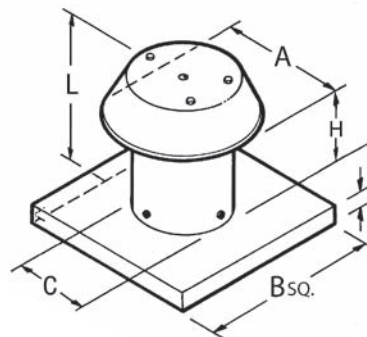
White dots = Low demand items. Check availability before quoting.

Note: A dimensional change is anticipated late in 2012. Please call for updated information.

Model: RCF – Flat Roof Cap



Model: RCC – Curb Mounted

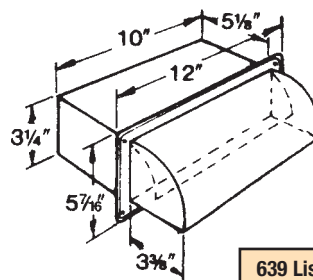


Wall Caps & Roof Jacks

Features:

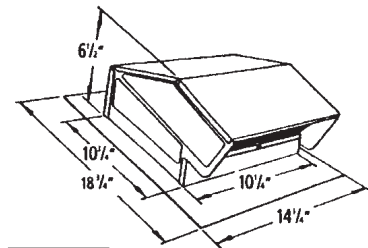
- Steel construction with black enamel finish
- Built-in birdscreen and damper
- CFM @.20" PD:
Model 639: 200
Model 634: 300
Model 636: 60
- Duct size:
Model 639: 3-1/4" x 10"
Model 634: 3-1/4" x 10" or up to 8" round
Model 636: 3" or 4" round

**Hooded Wall Cap
Model: 639**



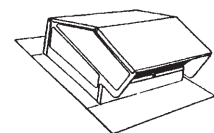
639 List Price
SKU
72
31409

**Sloped Roof/Wall Caps
Model: 634**



634 List Price
SKU
110
31406

Model: 636



636 List Price
SKU
63
36538

Same as model 634 except for 3" or 4" round duct

For additional Wall and Roof Caps see page 23

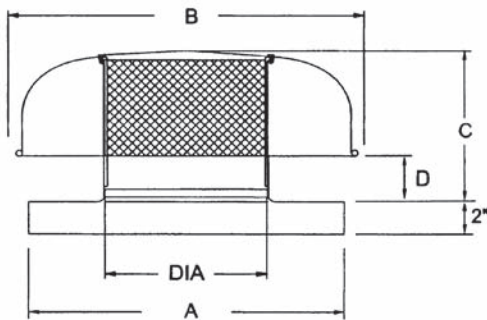
RSVT Features:

- Attractive spun aluminum design
- Aluminum bird screen
- Stainless steel fasteners
- 100% non-ferrous construction
- Corrosion resistant design for years of service in all environments



Model	Throat Area	A	B	C	D	DIA.	Ship Weight	Damper Size	Curb Size
RSVT 08	0.42	17.00	19.25	8.00	3.00	8.50	16	10 x 10	15.5 x 15.5
RSVT 10	0.63	20.00	21.50	8.75	3.50	10.50	18	14 x 14	18.5 x 18.5
RSVT 12	0.89	20.00	26.00	10.375	3.75	12.50	20	14 x 14	18.5 x 18.5
RSVT 14	1.19	24.00	27.50	11.25	4.25	14.50	22	18 x 18	22.5 x 22.5
RSVT 16	1.53	24.00	29.50	11.25	4.25	16.50	24	18 x 18	22.5 x 22.5
RSVT 18	1.92	30.00	33.50	11.50	4.50	18.50	30	24 x 24	28.5 x 28.5
RSVT 20	2.35	30.00	36.50	11.75	4.75	20.50	50	24 x 24	28.5 x 28.5
RSVT 24	3.34	34.00	39.50	12.50	5.50	24.50	60	28 x 28	32.5 x 32.5
RSVT 30	5.16	40.00	48.00	15.25	6.25	30.50	75	34 x 34	38.5 x 38.5
RSVT 36	7.07	46.00	56.00	15.25	6.25	36.50	125	40 x 40	44.5 x 44.5
RSVT 42	9.61	52.00	60.00	21.50	6.25	42.50	180	46 x 46	50.5 x 50.5
RSVT 48	12.56	58.00	74.00	27.25	6.50	48.50	230	50 x 50	56.5 x 56.5

Model: RSVT



All dimensions in inches – Net weight in pounds.



Dimension A is the inside dimension of the curb cap.

The roof curb should be 1½” less than the curb cap to allow for roofing and flashing.


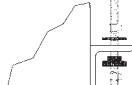

Model	CFM @ 0.05 PD		CFM @ 0.10 PD		CFM @ 0.20 PD		CFM @ 0.30 PD		Price List	SKU	BDD Add	SKU	Curb Add	SKU
	Intake	Relief	Intake	Relief	Intake	Relief	Intake	Relief						
RSVT 08	220	258	311	364	439	515	538	631	402	33123	64	44103	179	31438
RSVT 10	330	386	466	546	659	772	807	947	449	33124	83	44106	202	38001
RSVT 12	465	546	658	772	930	1092	1139	1336	615	33125	83	44106	202	38001
RSVT 14	622	730	880	1035	1244	1460	1525	1787	733	33126	94	44108	227	38002
RSVT 16	800	938	1131	1330	1599	1754	1958	2297	798	33127	94	44108	227	38002
RSVT 18	1003	1177	1419	1670	2006	2355	2457	2883	816	33128	139	44111	237	38004
RSVT 20	1228	1440	1736	2037	2456	2880	3007	3527	881	33129	139	44111	237	38004
RSVT 24	1745	2047	2470	2895	3490	4093	4275	5013	1070	33130	181	44112	277	38005
RSVT 30	2698	3162	3812	4471	5400	6330	6613	7745	1596	33131	218	44114	277	38006
RSVT 36	3695	4332	5223	6128	7386	8665	9046	10611	1951	33132	356	44116	434	38007
RSVT 42	6430	7040	9587	10426	13013	13696	15837	17259	2448	61584	401	44119	493	38008
RSVT 48	8379	9174	12498	13588	17102	18314	20634	22501	3642	35551	426	44120	551	38009

White dots = Low demand items. Check availability before quoting.

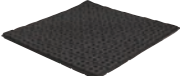
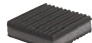
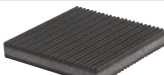
MOUNTS – Spring

Type	Model	Load Per Set	List per Set of Four	SKU
Side Mount 1" Deflection 	ISO SMS 075	35 – 75 lbs.	556	11633
	ISO SMS 200	80 – 200 lbs.	556	11634
	ISO SMS 400	200 – 400 lbs.	556	11635
	ISO SMS 750	400 – 748 lbs.	556	11636
Bottom Mount 1" Deflection 	ISO SMB 075	35 – 75 lbs.	556	11629
	ISO SMB 200	80 – 200 lbs.	556	11630
	ISO SMB 400	200 – 400 lbs.	556	11631
	ISO SMB 750	400 – 748 lbs.	556	11632

HANGERS - Spring & Neoprene

Type	Model	Load Per Set	List per Set of Four	SKU
Housed Spring 1" Deflection (w/nuts & washers) 	ISO SH 075	35 – 75 lbs.	264	11625
	ISO SH 200	80 – 200 lbs.	264	11626
	ISO SH 400	200 – 400 lbs.	264	11627
	ISO SH 750	400 – 748 lbs.	264	11628
Unhoused Neoprene Grommet kit (w/nuts & washers) 	ISO NH 050	10 – 50 lbs.	77	11623
Seismic Cable Restraints – 48" 	ISO SCR 500	35 – 500 lbs.	242	11624

PADS – Rubber & Cork

Type	Model	Max. Load	List Each	SKU
All Rubber Easy Cut Pad  18" x 18" x 3/4"	ISO PAD ECP18	60 lbs. / Sq. In.	73	12601
Cork & Rubber Sandwich Mounting Pad  3" x 3" x 7/8"	ISO PAD MP3C	50 lbs. / Sq. In.	2	12602
Cork & Rubber Sandwich Mounting Pad  6" x 6" x 7/8"	ISO PAD MP6C	50 lbs. / Sq. In.	7	12603



- Same Day, Next Day and Standard 2-Day shipping options
- Next day delivery on orders placed as late as 5pm Eastern time
- The largest inventory of Fans, Dampers, and Air Distribution in the country
- Quality products with features and designs that save time and money
- Value by providing a premium service without the premium price



Air Distribution Products stocked		
Series	Description	Types/Sizes
APC	Perforated Diffusers – Curved Blade	191
APM	Perforated Diffusers – Modular	75
APA	Perforated Diffusers – Deflectors	12
APR	Perforated Returns	94
APX	Perforated Return Screens	7
AC	Cone Diffusers – Lay-in	16
AO	Architectural Plaque Diffusers – Lay-in	16
AL	Louvered Diffusers – Surface & Lay-in	20
AM	Modular Diffusers – Surface & Lay-in	27
CB	Curved Blade Diffusers – Surface	30
AR	Round Spun Diffusers – 2 & 3 Cone	18
ALS	Linear Slot Diffusers – 4 ft & 8 ft	32
ALSP	Plenums for Linear Slot Diffusers – 4 ft	20
AAB	Linear Air Bar Diffusers – 10 ft	14
AABP	Plenums for Linear Air Bar – 3 ft, 4 ft & 5 ft	23
DR	Drop Down Diffusers	8
DDV	Double Deflection Registers	129
FBH	Fixed Bar Return Grilles – Surface & Lay-in	244
FBHF1	Filter Return Grilles – Lay-in	7
EC	Egg Crate Return Grilles – Surface & Lay-in	20
ECF1	Egg Crate Filter Grille – Lay-in	6
HLF	Hard Lid Rapid Mount Ceiling Frames	6
OBDB	Opposed Blade Dampers – Black	60
BBD	Round Butterfly Dampers	14
SBD	Round Sliding Blade Dampers	5
STR	Square to Round Adapters – Black Interior	68
RTR	Round to Round Adapters – Black Interior	19

Air Device Products stocked		
Series	Description	Types/Sizes
SDT	Single Duct VAV Terminals	9
COIL	Hot Water Reheat Coils – 1 & 2 Row	14
ATTEN	Attenuators & End Caps	12
PNEU	Pneumatic Controls & Accessories	17
DIGI	Digital Controls & Accessories	14

Air Damper Products stocked		
Series	Description	Types/Sizes
FS3	Vertical F/S dampers, UL Class II, 350°	79
FS3	Corridor F/S dampers, UL Class II, 350°	28
DWD	Dynamic Curtain Type Fire Dampers	11
CRD	Ceiling Radiation Dampers	18
ANGLE	Retaining Angles & Flange Sets	24
RBDE	Round Balancing Damper, Electric Remote Powered	9
RBDEC	Hand Held Controllers, Terminals & Cable	18
RBDDB	Round Balancing Damper, Bowden	9
RBDDBC	Bowden Controllers & Cable	5
RBD	Round Balancing Damper with Quadrant	10
DISC	Disc Damper Kits	12
BDDR	Round Backdraft Dampers	8
BDDS	Backdraft Dampers – Steel	21
BDDA	Backdraft Dampers – Aluminum	11
CD1	Control Dampers – Aluminum	10
SB	Single Blade Economy Balancing Dampers	6
MD	Opposed Blade Balancing Dampers	9
BV	Brick Vents	4
DAL	Fixed Louvers, Drainable Blades & Jamb	6

Access Door Products stocked		
Series	Description	Types/Sizes
ADSM	Classic Sheet Metal Door, Hinged w/Cams	8
ADFR	1.5 HR Fire Rated Doors, UL & CSFM	3
ADMU	Multi-Use Doors, Hinged & Latched	8
ADLP	Low Pressure Spiral Duct Doors w/Latches	12
ADSD	Sandwich Type Spiral Duct Doors w/Knobs	9
ADSO	Oval Access Doors w/Cams & Chains	5
ADZL	Zero Leak Access Doors, Hinged w/Cams	16

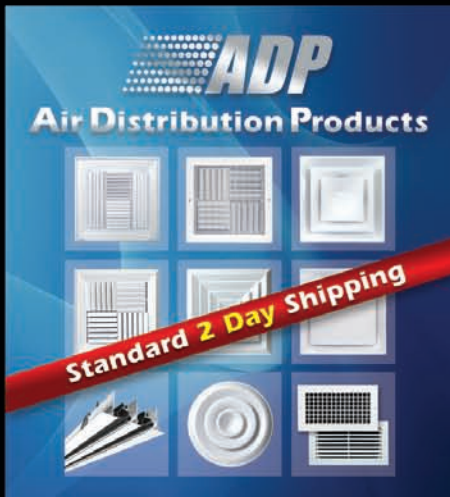
Air Delivery Products stocked		
Series	Description	Types/Sizes
DCR	Roof Exhaust, Downblast Direct, UL705	21
BCR	Roof Exhaust, Downblast Belt, UL705	48
BCRU	Roof Exhaust, Upblast Belt, UL762	41
DSI	Inline, Direct Drive, Square, UL705	16
BSI	Inline, Belt Drive, Square, UL705	64
RSV	Round Spun Gravity Ventilators	12
CURB	Canted & Vented Roof Curbs	15
BDDS	Backdraft Dampers – Steel	21
BRO	Broan Ceiling & Cabinet Fans	16
BROI	Broan Inline Adapter Kits	14
JCS	Jacks, Caps & Switches	9
PANA	Panasonic Ceiling Fans	10
PANI	Panasonic Inline & Wall fans	5
CA/R	Round Inline Fans, Steel & Plastic	8
DQ	Dryer Vent Booster Fans – Cleanable	2
ISO	Vibration Isolation Mounts & Hangers	20

Air Duct Products stocked		
Series	Description	Types/Sizes
TFP	Poly Flex Duct	64
TFA	Aluma-Core Flex Duct, 6 ft CBE, Bare	32
SM	Galvanized Saddle Taps, T-Wyes & Elbows	58
SM	Galvanized Spiral Duct, KD Pipe & Caps	38
SM	Galvanized Tapers & Start Collars	33
SM	Galvanized Tee Tops w/Screen	6

Please visit our website for a complete list of products available

Ph 800.322.8676 • www.adp-hvac.com • Fx 800.604.3324

All this ships in **2 Days** or less! Who knew?



ADP
Air Distribution Products

Standard 2 Day Shipping

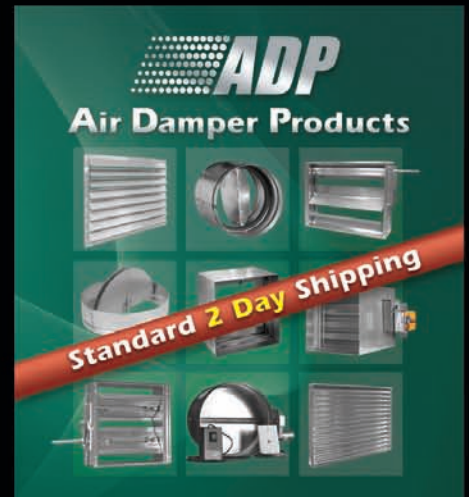
This banner features a blue background with a grid of nine images showing various air distribution products such as diffusers, registers, and grilles.



ADP
Air Device Products

Standard 2 Day Shipping


This banner features a yellow background with a grid of nine images showing various air device products including coils, filters, and control boxes.



ADP
Air Damper Products

Standard 2 Day Shipping

This banner features a green background with a grid of nine images showing various air damper products such as dampers, valves, and actuators.



ADP
Air Delivery Products

Standard 2 Day Shipping

This banner features a yellow background with a grid of nine images showing various air delivery products including fans, blowers, and duct components.



ADP
Access Door Products

Standard 2 Day Shipping

This banner features a red background with a grid of nine images showing various access door products including doors, frames, and seals.



ADP
Air Duct Products

Standard 2 Day Shipping

This banner features a blue background with a grid of nine images showing various air duct products including elbows, tees, and straight sections.



Serving the HVAC Industry Since 1952

Ph 800.322.8676 • www.adp-hvac.com • Fx 800.604.3324

9668-D Heinrich Hertz Drive, San Diego, CA 92154